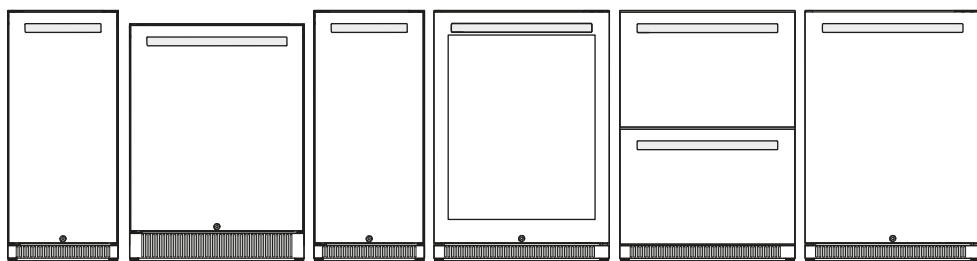


↗ DOMETIC

REFRIGERATION

OUTDOOR FRIDGE



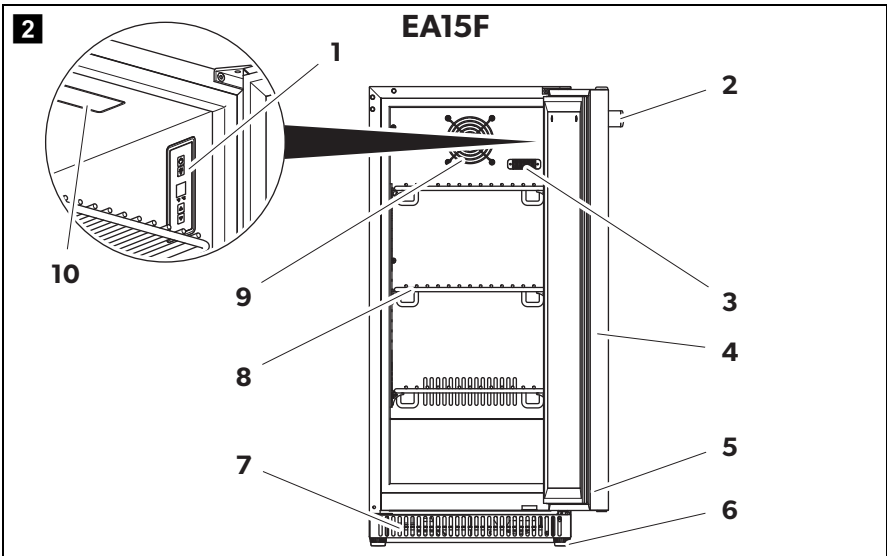
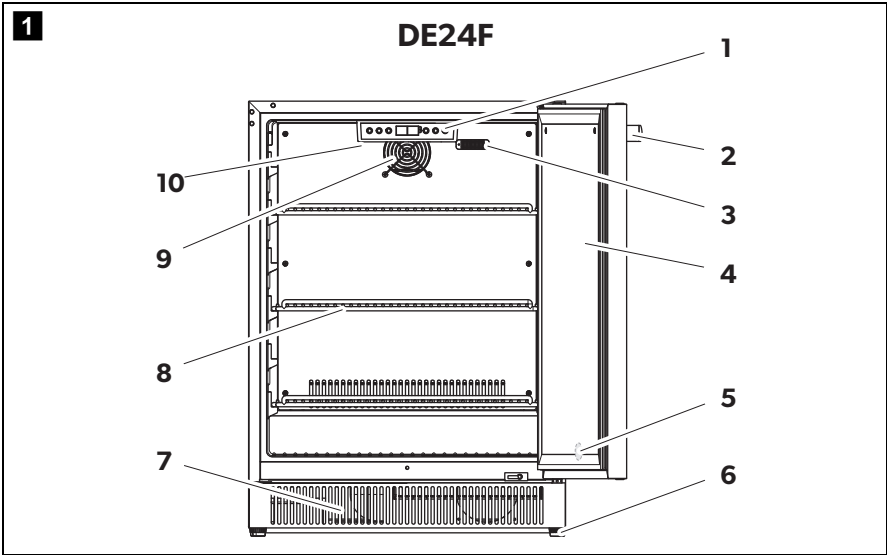
DE15F, DE24F, EA15F, EA24B, EA24D, EA24F

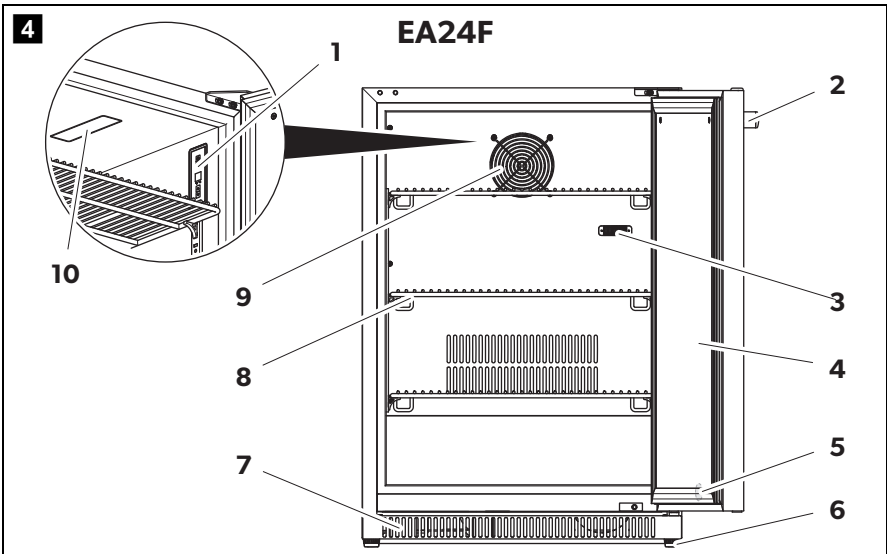
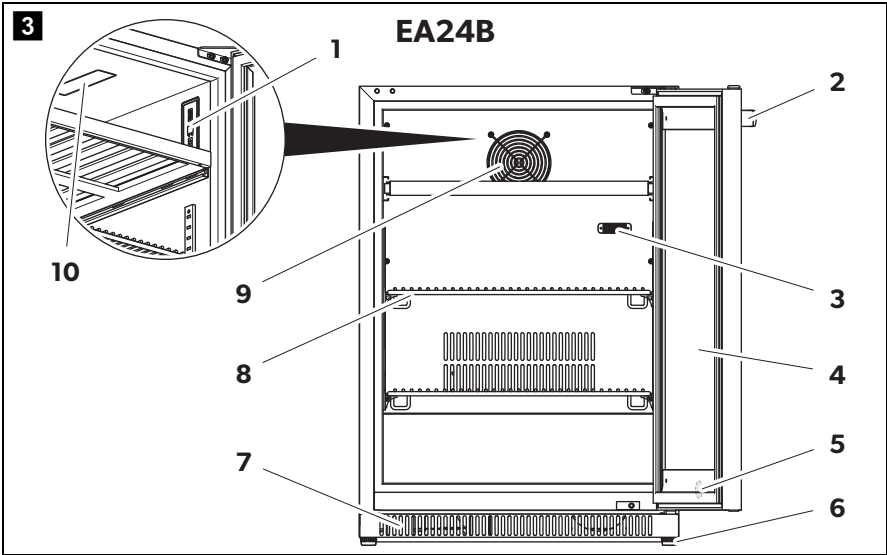
EN Refrigerator
Installation and Operating Manual 19

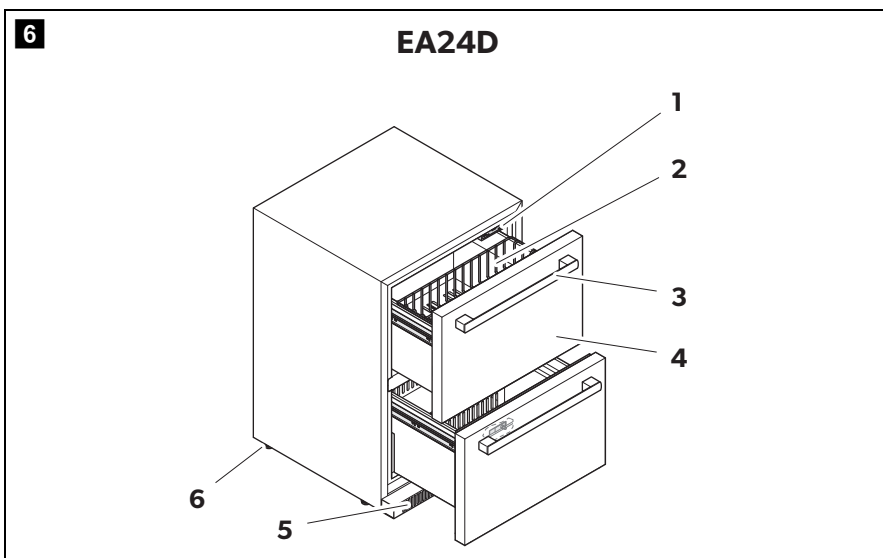
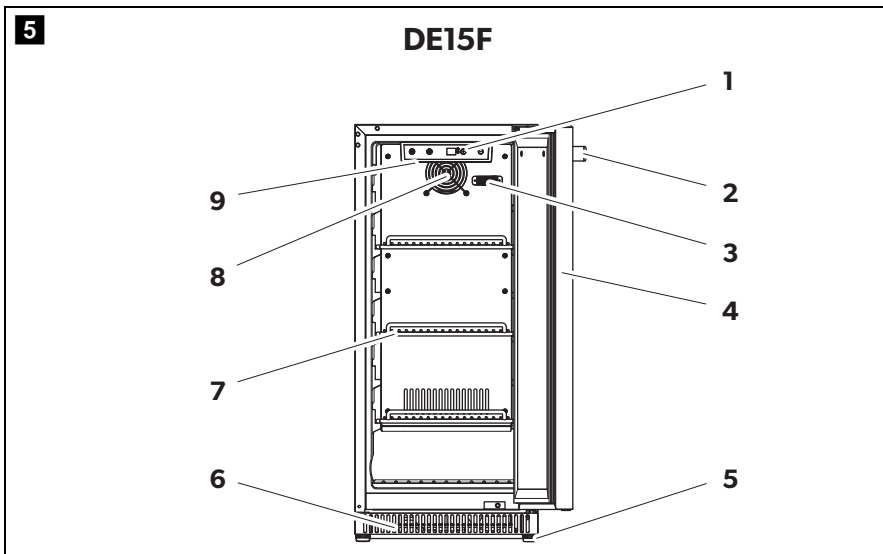
FR Réfrigérateur
Instructions de montage
et de service 43

ES Nevera
Instrucciones de montaje y de uso 68

© 2023 Dometic Group. The visual appearance of the contents of this manual is protected by copyright and design law. The underlying technical design and the products contained herein may be protected by design, patent or be patent pending. The trademarks mentioned in this manual belong to Dometic Sweden AB. All rights are reserved.

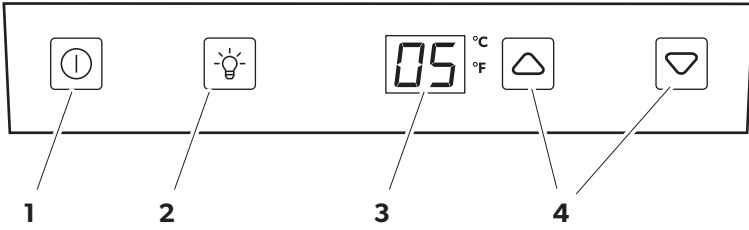






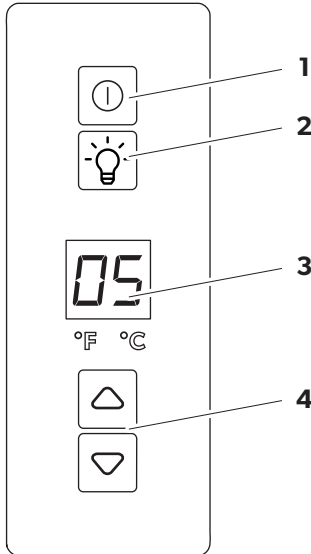
7

DE15F, DE24F



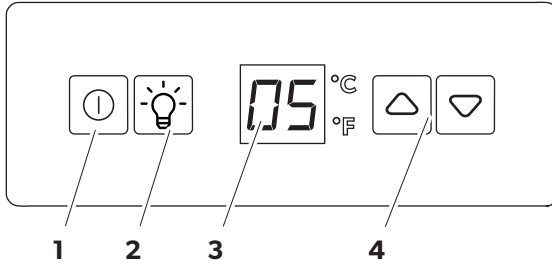
8

EA15F, EA24B, EA24F

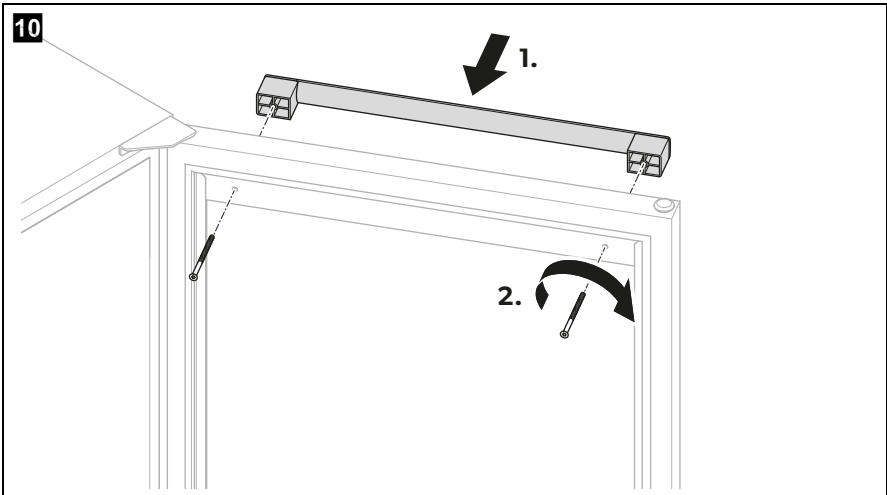


9

EA24D



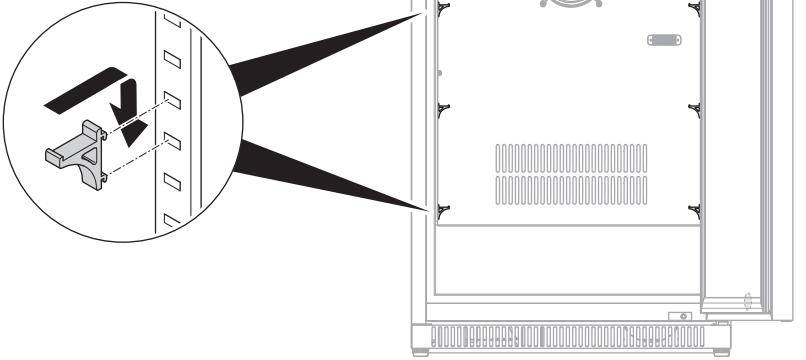
10



11

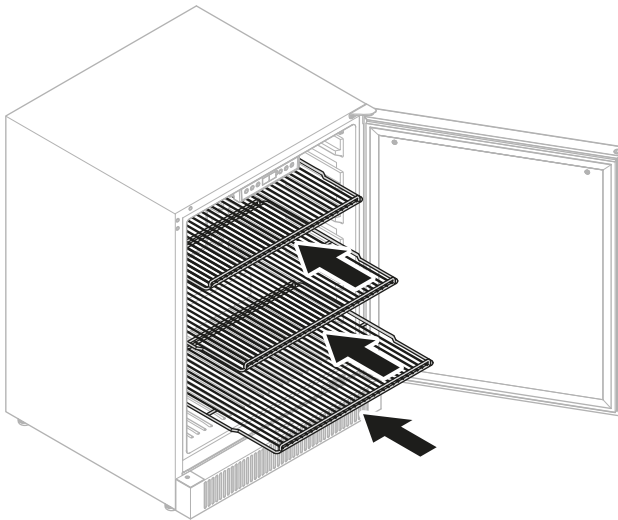
EA14F, EA24F, EA24B

EA14F, EA24F = 12x
EA24B = 8x



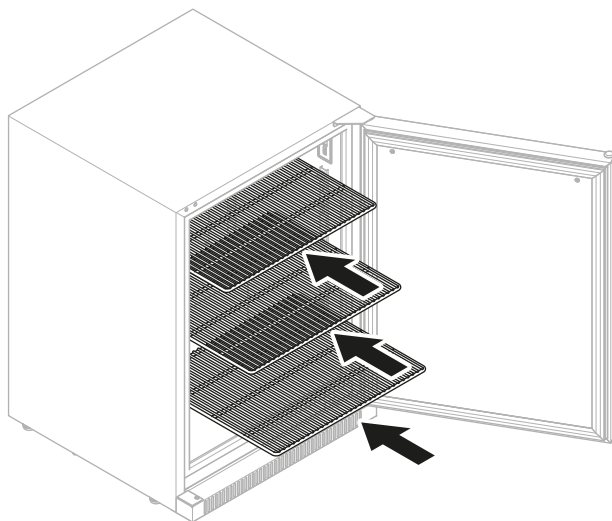
12

DE15F, DE24F



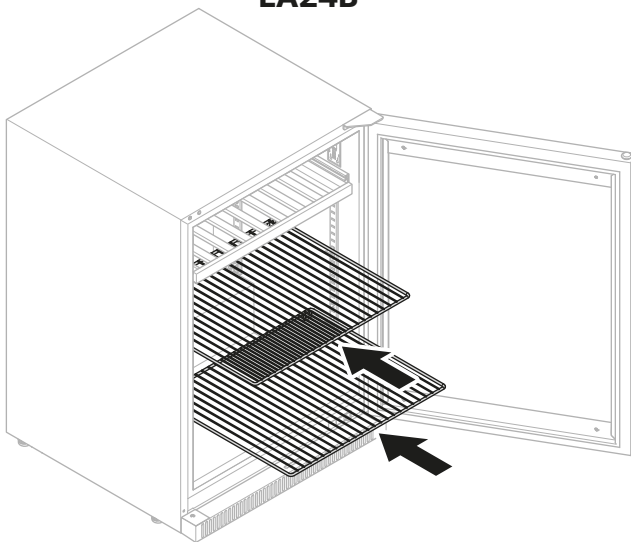
13

EA15F, EA24F



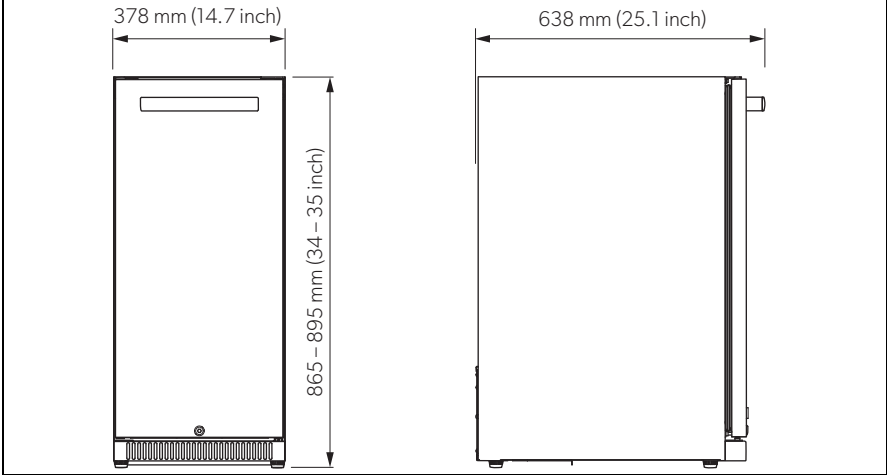
14

EA24B



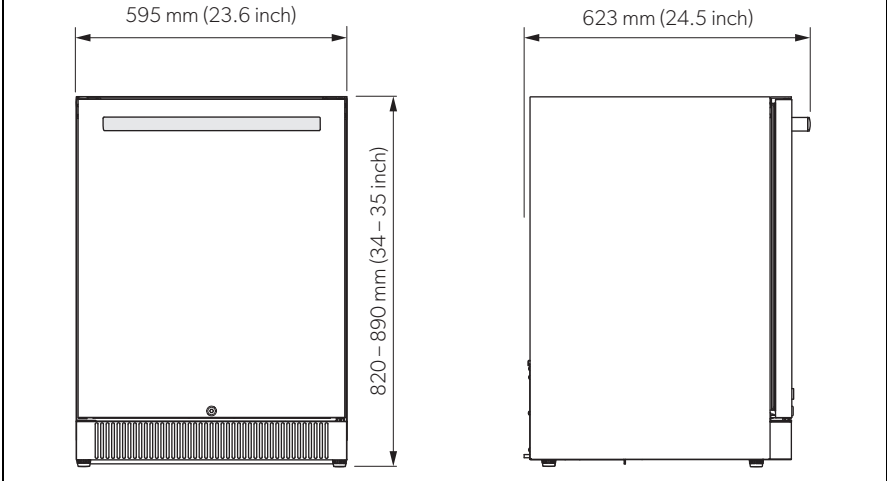
15

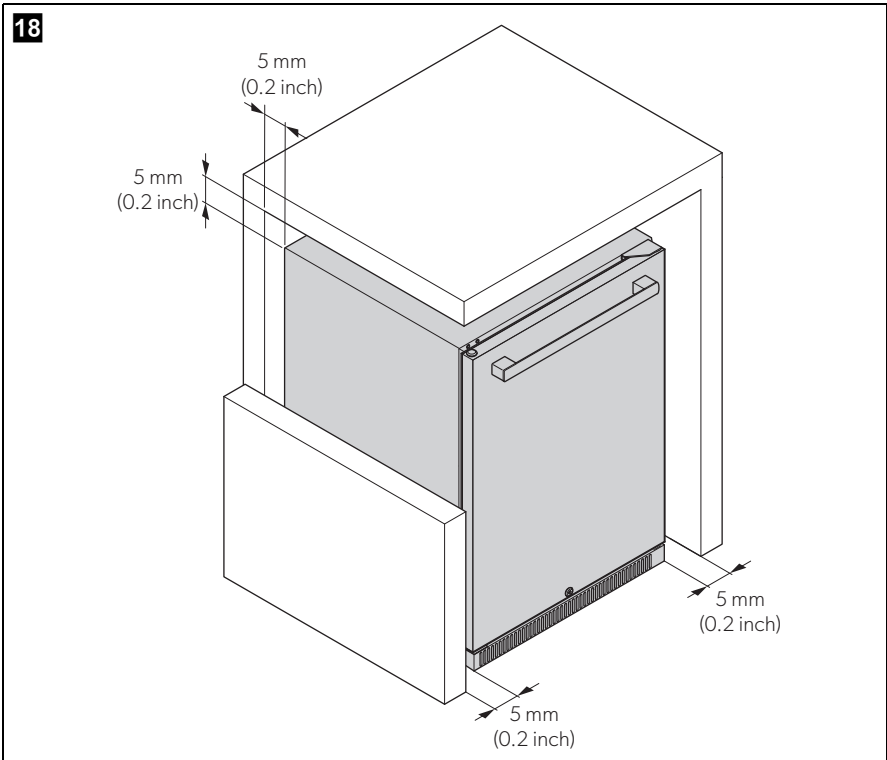
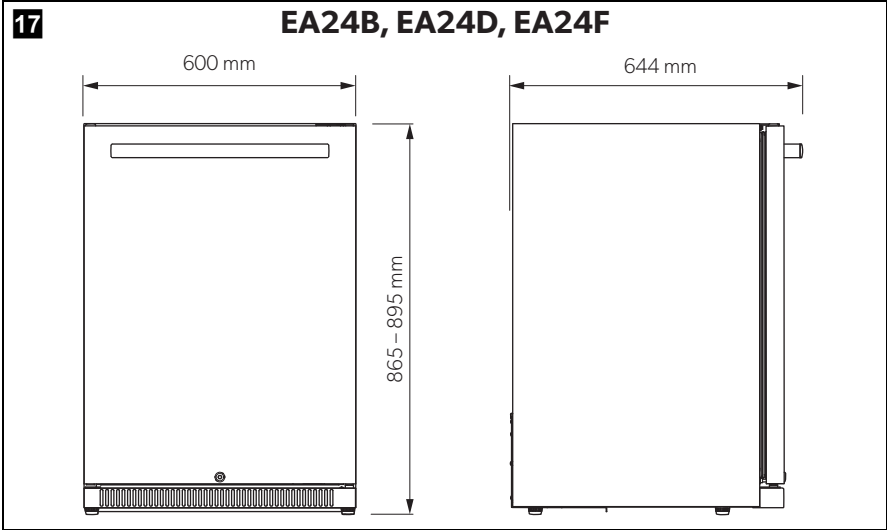
DE15F, EA15F



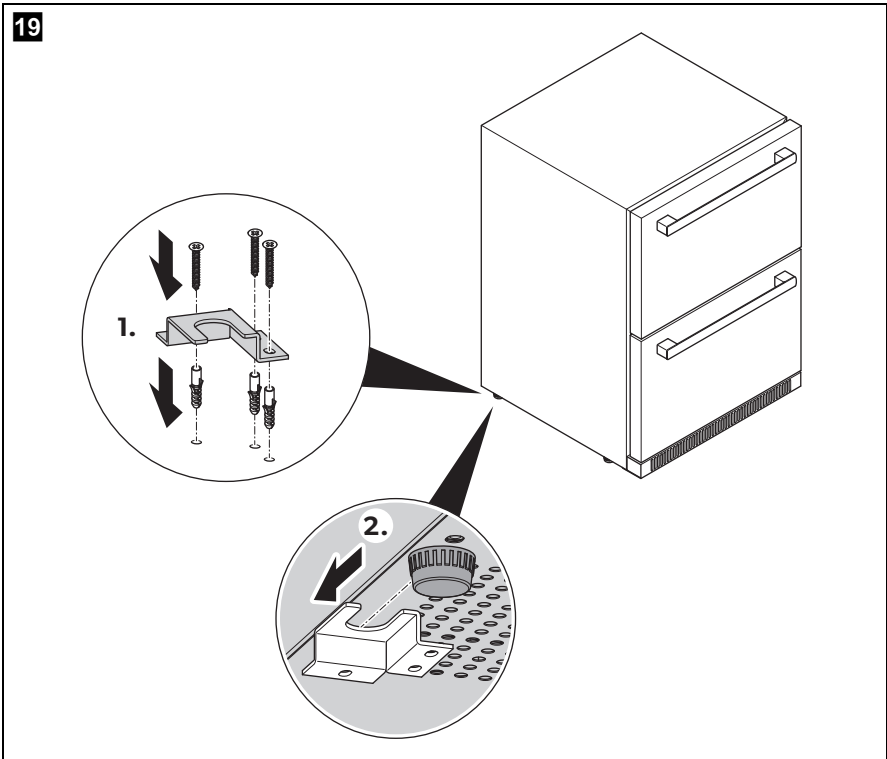
16

DE24F

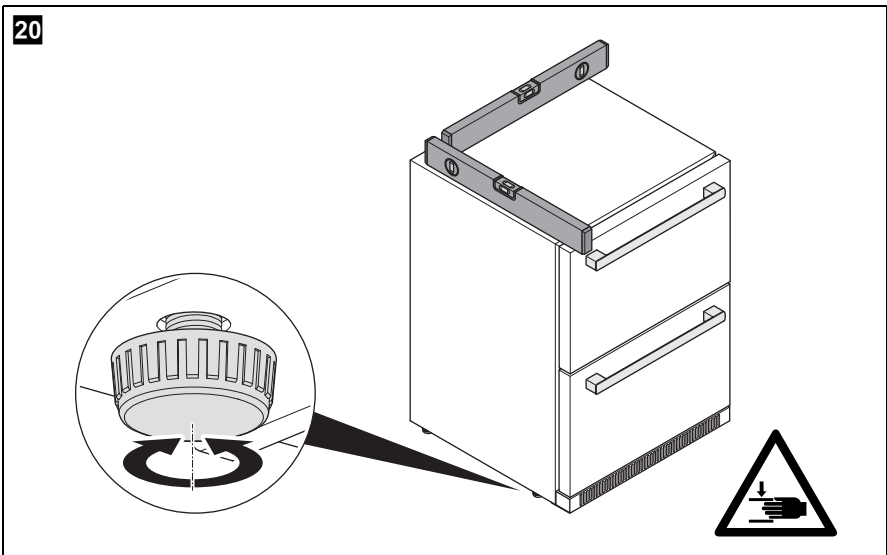




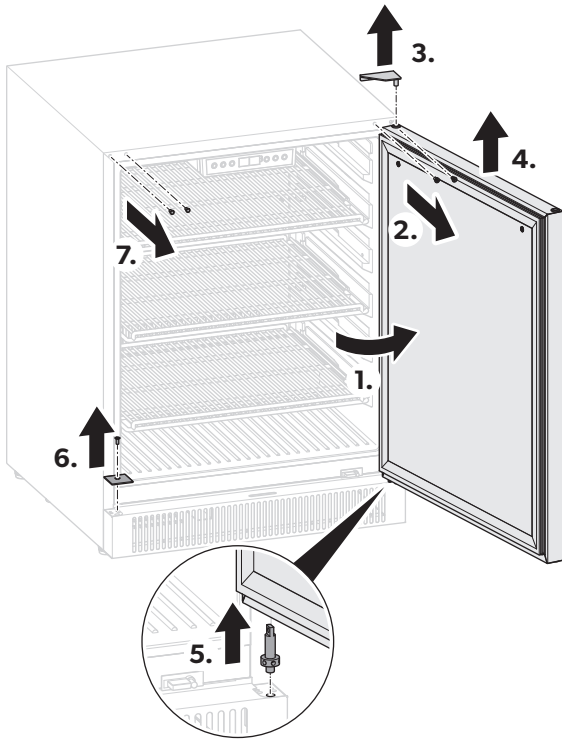
19



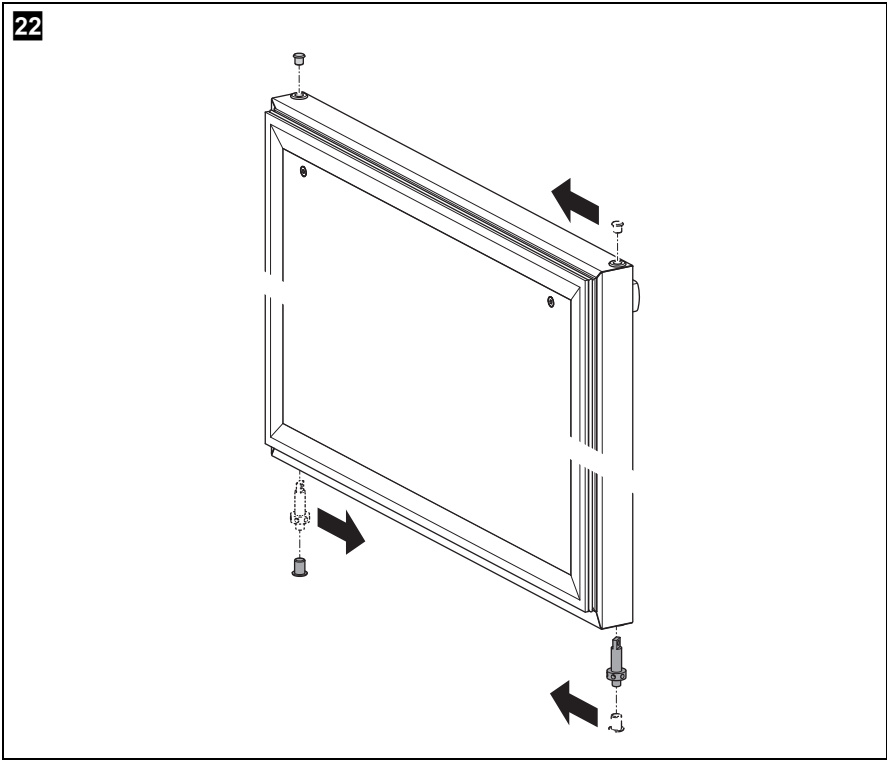
20



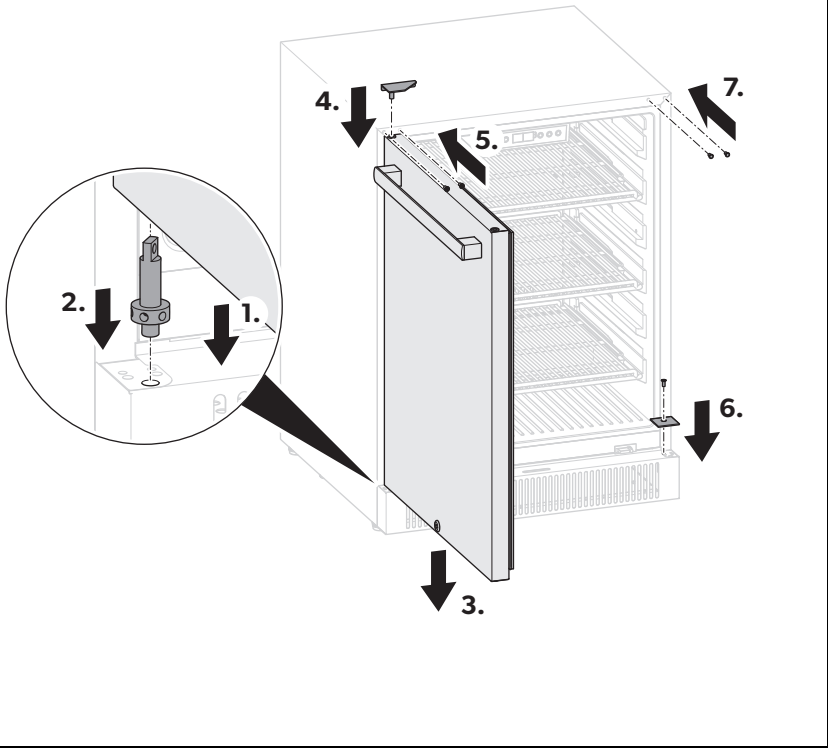
21



22

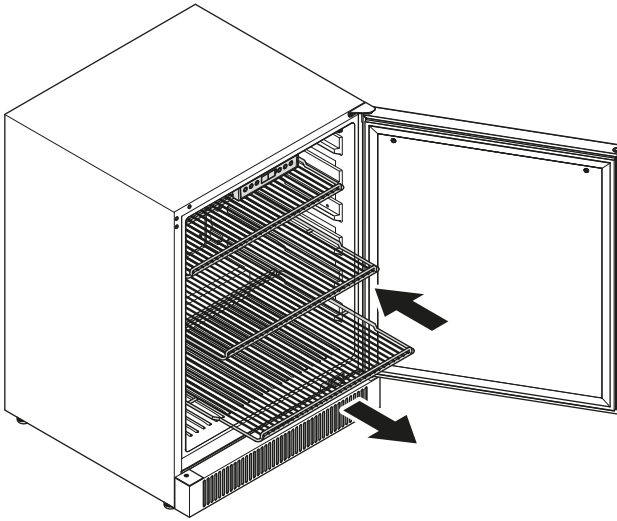


23



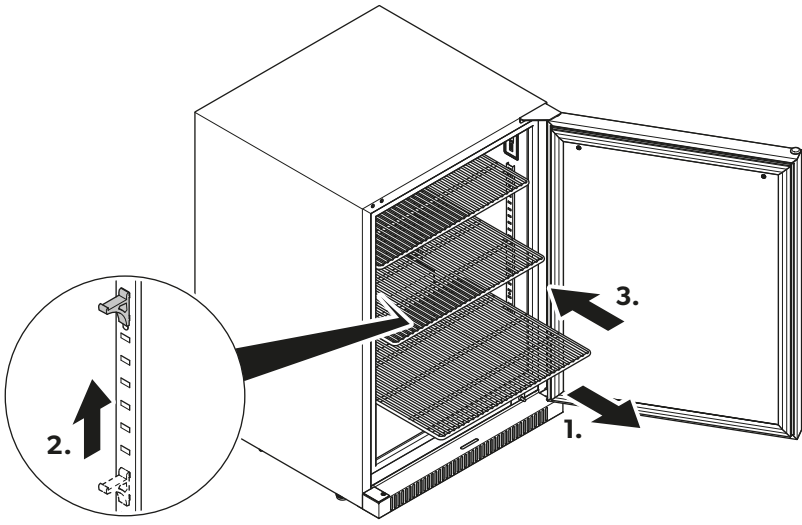
24

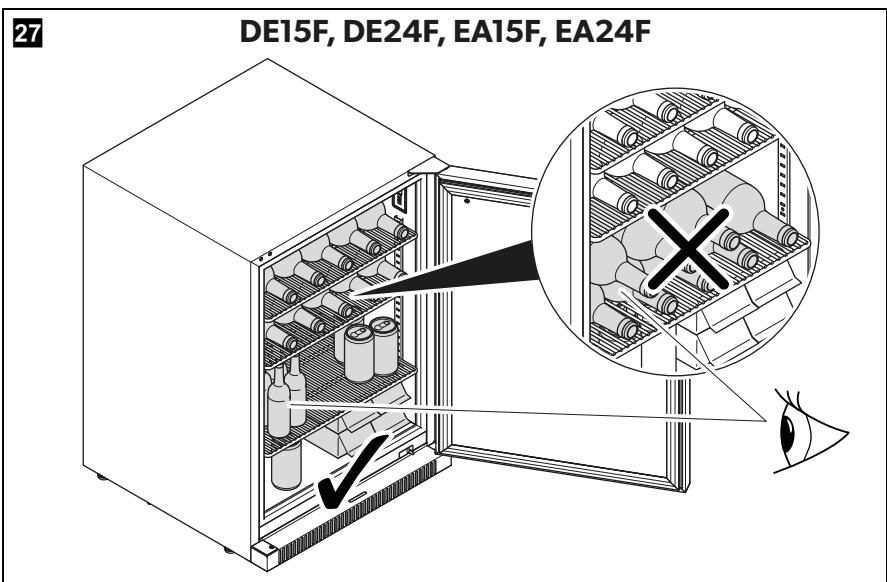
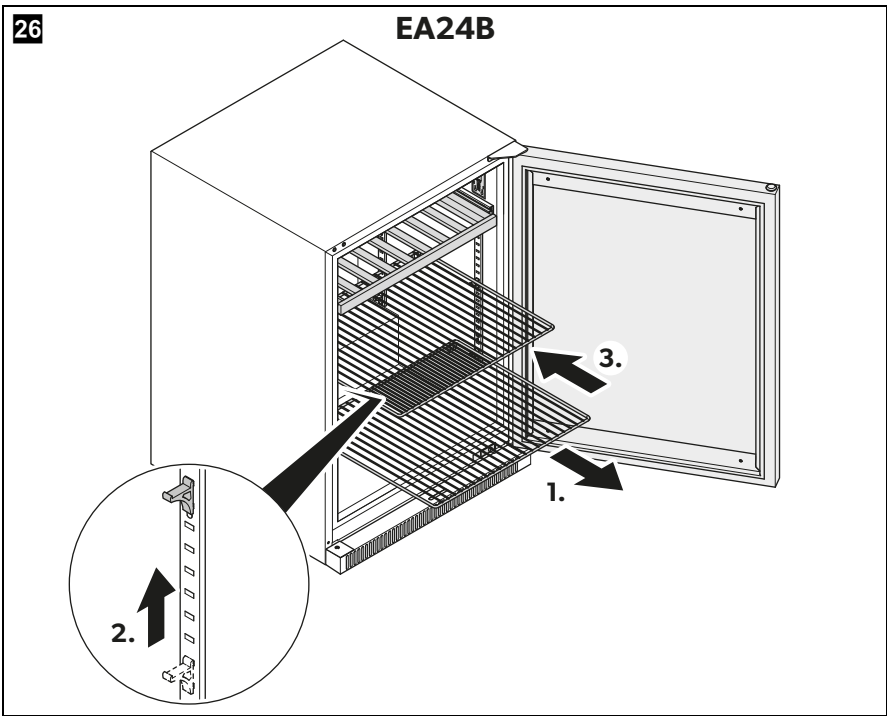
DE15F, DE24F



25

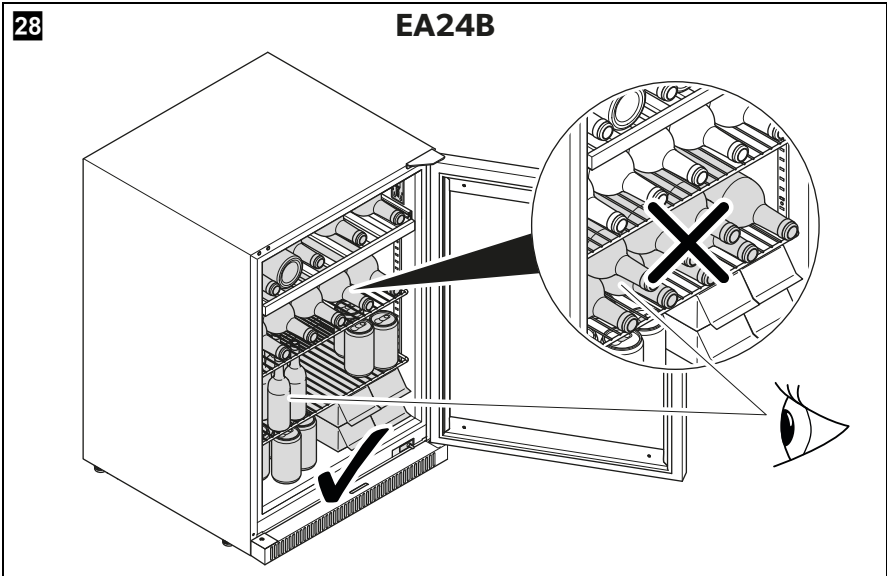
EA15F, EA24F





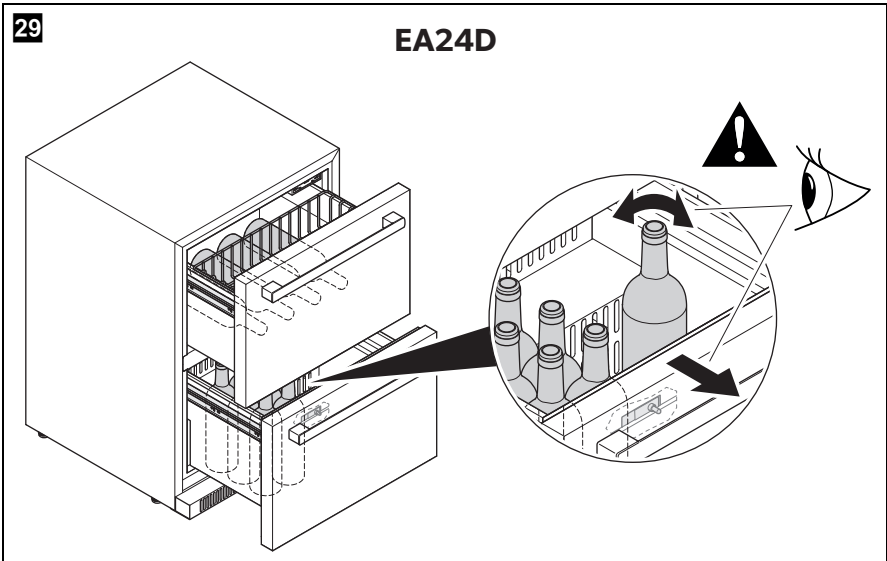
28

EA24B



29

EA24D



Please read these instructions carefully and follow all instructions, guidelines, and warnings included in this product manual in order to ensure that you install, use, and maintain the product properly at all times. These instructions **MUST** stay with this product.

By using the product, you hereby confirm that you have read all instructions, guidelines, and warnings carefully and that you understand and agree to abide by the terms and conditions as set forth herein. You agree to use this product only for the intended purpose and application and in accordance with the instructions, guidelines, and warnings as set forth in this product manual as well as in accordance with all applicable laws and regulations. A failure to read and follow the instructions and warnings set forth herein may result in an injury to yourself and others, damage to your product or damage to other property in the vicinity. This product manual, including the instructions, guidelines, and warnings, and related documentation, may be subject to changes and updates. For up-to-date product information, please visit documents.dometic.com.

Contents

1	Explanation of symbols	19
2	Safety instructions	20
3	Scope of delivery	23
4	Intended use	23
5	Technical description	24
6	Installation	27
7	Before first use	30
8	Operation	30
9	Storing the device	33
10	Cleaning and maintenance	33
11	Troubleshooting	34
12	Warranty	38
13	Disposal	39
14	Technical data	40
15	Legal	41

1 Explanation of symbols



WARNING!

Safety instruction: Indicates a hazardous situation that, if not avoided, could result in death or serious injury.

**CAUTION!**

Safety instruction: Indicates a hazardous situation that, if not avoided, could result in minor or moderate injury.

**NOTICE!**

Indicates a situation that, if not avoided, can result in property damage.

**NOTE**

Supplementary information for operating the product.

2 Safety instructions

2.1 General safety



WARNING! Failure to obey these warnings could result in death or serious injury.

Electrocution hazard

- The device has to be installed by a qualified technician in accordance with the Dometic installation manual.
- Do not operate the device if it is visibly damaged.
- If this device's power cable is damaged, it must be replaced by the manufacturer, service agent or a similarly qualified person in order to prevent safety hazards.
- This device may only be repaired by qualified personnel. Inadequate repairs may cause serious hazards.
- When positioning the device, ensure the supply cord is not trapped or damaged.
- Do not locate multiple portable socket-outlets or portable power supplies at the rear of the device.
- Plug the device to sockets that ensure proper connection especially when the device needs to be earthed.
- Do not place flammable vapors and liquids near the device.

Fire hazard

- After installation, it must still be possible to disconnect the device from the power supply mains. This may be achieved by having the plug accessible or by incorporating a switch in the fixed wiring according to the wiring rules.

- The refrigerant in the refrigerant circuit is highly flammable. In the event of any damage to the refrigerant circuit:
 - Switch off the device.
 - Avoid naked flames and sparks.
 - Air the room well.

Explosion hazard

- Do not store any explosive substances, such as spray cans with propellants, in the device.

Health hazard

- This device can be used by children aged from 8 years and above and persons with reduced physical, sensory or mental capabilities or lack of experience and knowledge if they have been given supervision or instruction concerning use of the device in a safe way and understand the hazards involved.
- Children aged from 3 to 8 years allowed to load and unload the refrigerating device
- Children shall not play with the device.
- Cleaning and user maintenance shall not be made by children without supervision.



CAUTION! Failure to obey these cautions could result in minor or moderate injury.

Risk of crushing

- Do not put fingers into the hinge.

Risk of injury

- Lay the power cable so that no one can trip over it.



NOTICE! Damage hazard

- Check that the voltage specification on the data plate is the same as that of the power supply.
- The device is not suitable for storing substances which are caustic or contain solvents.
- Keep the drainage outlet clean at all times.
- Do not open the refrigerant circuit under any circumstances.
- Only carry the device upright.
- Do not place the device near open flames or other heat sources (heaters, direct sunlight, gas ovens, etc.).

2.2 Operating the device safely



DANGER! Failure to obey these warnings will result in death or serious injury.

Electrocution hazard

- Do not touch exposed cables with your bare hands.



WARNING! Failure to obey these warnings could result in death or serious injury.

Fire hazard

- Keep the ventilation openings in the device enclosure or in the built-in structure clear of obstruction.
- Do not use mechanical objects or other means to accelerate up the defrosting process other than those recommended by the manufacturer.
- Do not damage the refrigerant circuit.
- Do not use electrical devices in the compartments of the device unless they are recommended by the manufacturer for the purpose.



CAUTION! Failure to obey these cautions could result in minor or moderate injury.

Electrocution hazard

- Before starting the device ensure that the power supply line and the plug are dry.
- Disconnect the cooling device from the power supply
 - before each cleaning and maintenance
 - after every use

Health hazard

- Check if the cooling capacity of the device is suitable for the storage of the drinks to be cooled.
- Store only closed and still sealed bottles in the device.
- Opening the door for long periods can cause significant increase of the temperature in the compartments of the device. If the device is left empty for long periods:
 - Switch off the device.
 - Defrost the device.
 - Clean and dry the device.
 - Leave the door open to prevent mold developing within the device.

**NOTICE! Damage hazard**

- Never immerse the device in water.
- Protect the device and the cable against heat and moisture.

3 Scope of delivery

DE15F, DE24F, EA15F, EA24B, EA24F

Component	Quantity
Refrigerator	1
Handle	1
Shelf	EA 15F, EA 24F: 3 EA 24B: 2
Hinge exchange kit	1
Key	2
Shelf support	EA 15F, EA 24F: 12 EA 24B: 8
Short Installation and operating manual	1

EA24D

Component	Quantity
Refrigerator	1
Handle	2
Basket	1
Anti-tip bracket	1
Fixing kit	1
Key	2
Short installation and operating manual	1

4 Intended use

The refrigerator is intended to be used exclusively for the storage and temperature control of beverages. It is suitable as mobile outdoor built-in refrigerator.

This refrigerator is **not** intended to be used as a freestanding appliance.

The refrigerator is **not** suitable for:

- Freezing foodstuff
- Storing food
- Medicines and other medical products
- Installation in vehicles
- Installation on boats, yachts or ships
- Storing corrosive substances or substances that contain solvents
- Commercial or retail use

This refrigerator is only suitable for the intended purpose and application in accordance with these instructions.

This manual provides information that is necessary for proper installation and/or operation of the refrigerator. Poor installation and/or improper operating or maintenance will result in unsatisfactory performance and a possible failure.

The manufacturer accepts no liability for any injury or damage to the product resulting from:

- Incorrect assembly or connection, including excess voltage
- Incorrect maintenance or use of spare parts other than original spare parts provided by the manufacturer
- Alterations to the product without express permission from the manufacturer
- Use for purposes other than those described in this manual

Dometic reserves the right to change product appearance and product specifications.

5 Technical description

The refrigerant circuit is maintenance-free.

The device is available as a built-in version, which is used with outdoor furniture.

During operation at an ambient temperature of 10 °C (50 °F) to 38 °C (100 °F), the device can maintain an inner temperature of 0 °C (32 °F) to 22 °C (72 °F).

The temperature is set using the control panel on the inside of the device.

5.1 Overview

DE24F, EA15F, EA24B, EA24F (fig. 1, page 3 to fig. 4, page 4)

No.	Explanation
1	Control panel
2	Handle
3	Temperature probe
4	Door
5	Door lock
6	Adjustable feet
7	Grill
8	Shelf
9	Fan
10	Interior LED

DE15F (fig. 5, page 5)

No.	Explanation
1	Control panel
2	Handle
3	Temperature probe
4	Door
5	Adjustable feet
6	Grill
7	Shelf
8	Fan
9	Interior LED

EA 24D (fig. 6, page 5)

No.	Explanation
1	Control panel
2	Basket
3	Handle
4	Door
5	Grill
6	Adjustable feet

5.2 Control panel

The device is equipped with a control panel for operation and settings.

DE15F, DE24F (fig. 7, page 6)

No.	Explanation
1	On/off button
2	Lock indicator
3	Light button
4	Display
5	Setting buttons
6	Temperature unit indicator

EA 15F, EA 24B, EA 24F (fig. 8, page 6)

No.	Explanation
1	On/off button
2	Light button
3	Display
4	Setting buttons

EA24D (fig. 9, page 7)

No.	Explanation
1	On/off button
2	Light button
3	Display
4	Setting buttons

5.3 Alarm function

The device is equipped with an alarm function. The alarm sounds when the temperature inside the device has changed significantly from the set temperature or the door of the device has been open for more than 60 seconds or has been opened frequently.

6 Installation**WARNING! Electrocuting hazard**

Ensure that electrical connections comply with state and local codes.

6.1 Mounting the handles

► Proceed as shown (fig. 10, page 7).

6.2 Inserting the shelf supports

► Proceed as shown (fig. 11, page 8).

6.3 Inserting the shelves

- Proceed as shown:
- **DE15F, DE24F:** fig. 12, page 8
 - **EA15F, EA24F:** fig. 13, page 9
 - **EA24B:** fig. 14, page 9

6.4 Selecting the installing location



WARNING! Risk of injury

Move the device with at least 2 people.

Observe the following, when selecting the installation location:

- The ambient temperature should be in accordance with the climate class. Otherwise the set internal temperature cannot be reached or maintained. This can also be the case with extreme fluctuations in the ambient temperature.

The intended ambient temperature and the climate class can be found in the technical data (see chapter “Technical data” on page 40) and on the data plate of the device.

- The ground must be level and sufficiently stable to support the device when fully loaded.
 - The device must be positioned so that the plug is accessible.
 - Note the information on the electrical connection (chapter “Connecting the device to the power supply” on page 29).
 - Do not install the device in an area with excessive moisture.
- Remove all the inner and outer packaging material before setting up the device.

6.5 Placing the device



NOTE

- Observe the device’s dimensions and safety distances when installing the device (fig. **15**, page 10 to fig. **18**, page 11).
- Ensure that the door can be opened completely and is not blocked by other objects.

DE15F, DE24F, EA15F, EA24B, EA24F

1. Ensure that the door is locked when moving the device.
2. If necessary, tape the door with duct tape.
3. Position the device.

EA24D only

1. Fix the drawers with duct tape when moving the device.
2. Attach the anti-tip brackets on the floor (fig. **19**, page 12).
3. Position the device.

6.6 Connecting the device to the power supply



NOTICE! Damage hazard

- Do not modify or damage the plug.
- Do not plug the device in an socket that can be turned off by a switch or pull chain.
- To avoid voltage drops and loss of performance do not use adapters, extension cords, or power strips.
- Ensure that an residual current circuit breaker is installed to the power supply. Seek advice from a trained electrician.
- Observe the input voltage (see chapter “Technical data” on page 40).



NOTE

Let the device stand upright for 24 hours before connecting it to the power supply.

- ▶ Plug the device into a AC socket.

6.7 Adjusting the feet



NOTE

The bottom of the device must be horizontal.

- ▶ Ensure the device is level by adjusting the feet (fig. **20**, page 12).

6.8 Changing the door hinge

The hinge of the door can be changed so that it opens to the left instead of to the right.

- ▶ Change the door hinge (fig. **21**, page 13 to fig. **24**, page 16).

6.9 Adjusting the shelves

- ▶ Adjust the shelves (fig. **24**, page 16 to fig. **26**, page 17).

7 Before first use

- ▶ Before starting the device for the first time, clean the device inside and outside with a damp cloth for hygienic reasons (see chapter “Cleaning and maintenance” on page 33).

8 Operation



NOTE

Do not remove the control panel membrane when operating the device.

8.1 Storing bottles



CAUTION! Health hazard

Check if the cooling capacity of the device is suitable for the storage of the drinks to be cooled.



NOTICE! Damage hazard

- Ensure that liquids in glass containers are not excessively refrigerated. Liquids expand when they freeze and can therefore destroy glass containers.
- Store only closed and still sealed bottles in the device.
- Ensure that only items that can be stored at the selected temperature are placed in the device.
- If the device has been unplugged, turned off or the power has been disconnected, wait 5 minutes before switching the device back on.
- Do not open the device abruptly.
- **DE15F, DE24F, EA24B, EA15F, EA24F only:** Do not stack bottles.

- ▶ Position the beverages as shown in fig. **27**, page 17 to fig. **29**, page 18.

8.2 Saving energy

- Only open the beverage center as often and for as long as necessary.
- Allow warm drinks to cool down first before placing it in the device to keep cool.
- Defrost the beverage center as soon as a layer of ice forms.
- Avoid unnecessarily low temperature settings.

- For optimal energy consumption, position the shelves and drawers according to their position on delivery.
- On a regularly basis, ensure the door seal still fits properly.
- Clean dust and dirt from the condenser at regular intervals.
- Do not line shelves with aluminum foil, wax paper or paper towels, as they prevent proper air circulation.

8.3 Locking/unlocking the device (DE15F, DE24F, EA15F, EA24B, EA24F only)



NOTICE! Damage hazard

Ensure the key is fully inserted into the keyhole before rotating it.

- ▶ Insert the key into the lock and rotate it as follows:
 - ▶ Clockwise: Lock the device.
 - ▶ Counter-clockwise: Unlock the device.

8.4 Switching the device on/off

- ▶ Press the on/off button for 6 seconds to switch the device on or off.



NOTE

After switching on the device needs some time before the compressor starts.

- ▶ Check the device for leaks after switching it on for the first time.

8.5 Locking/unlocking the control panel (DE15F, DE24F only)

The control panel is equipped with a lock function to avoid unintentional settings.

- ▶ Press the on/off button and the light button simultaneously for 2 seconds to lock or unlock the control panel.

8.6 Switching the light on/off

The interior LED turns on when the device is opened and turns off when it is closed.

- ▶ To switch on or off the interior LED while you keep the door open, press the light button. The interior LED switches on when you open the door next time.

EA15F, EA24B, EA24D, EA24F only

- ▶ To switch on or off the interior LED permanently press the light button for 6 seconds.
- ✓ The manual light setting is activated.
- ✓ The display shows "CL" for a few seconds when the manual light setting is switched on.
- ✓ The display shows "OP" for a few seconds when the manual light setting is switched off.

8.7 Setting the temperature

- ▶ Press the setting button to adjust the temperature by 1 °C/1 °F.
- ✓ The temperature value on the display flashes during the temperature setting. 3 seconds after setting the temperature, the display shows the current temperature in the device. The temperature value changes by increasing or decreasing until the set temperature in the device is reached.

8.8 Changing the temperature unit

- ▶ Press the setting buttons simultaneously for a 2 seconds to change the temperature unit.
- ✓ The symbol for the corresponding unit lights up.

8.9 Defrost the device

A slight layer of ice or water droplets can form in the interior of the device if it has been cooling for longer periods. This may have several reasons (see chapter "Troubleshooting" on page 34).

1. Remove all items from the device.
2. Press the on/off button for 6 seconds to switch the device off.
3. Leave the door open.
4. Wipe the condensate water from the device with a dry cloth when the ice has melted.
5. Clean the device with a damp cloth.

8.10 Moving the device



WARNING! Risk of injury

Move the device with at least 2 people.



NOTICE! Damage hazard

Ensure that the device stays in a secure and upright position during transportation.

1. Remove all items from the device.
2. Fix the legs to the bottom the device.
3. **DE15F, DE24F, EA15F, EA24B, EA24F only:** Lock the door.
EA24D only: Tape the drawers with duct tape.
4. Protect the outside of the device with a blanket or similar.

9 Storing the device

If the device is turned off for several weeks, odor or mold can growth inside the device.

1. Remove all items from the device.
2. Clean and dry the inside of the device (see chapter “Cleaning and maintenance” on page 33).
3. Leave the door of the device open.

10 Cleaning and maintenance



WARNING! Fire hazard

- Only a qualified person must do the repair, maintenance or recharging of the appliance.
- This appliance refrigerant circuit contains flammable refrigerant.
- Improper repairs or maintenance can lead to considerable hazards.
- Note that self-repair or nonprofessional repair can have safety consequences and might void the guarantee.



WARNING! Electrocutation hazard

Always disconnect the refrigerator from the mains before you clean and service it.



NOTICE! Damage hazard

- Do not use abrasive cleaning agents or hard objects during cleaning as these can damage the refrigerator.
- Never use hard or sharp tools to remove ice or to free objects frozen onto the device.
- Do not use any mechanical tools or any other tools to speed up the defrosting process.

- ▶ Clean the refrigerator regularly and as soon as it becomes dirty with a damp cloth.
- ▶ Make sure that no water drips into the seals. This can damage the electronics.
- ▶ Wipe the refrigerator dry with a cloth after cleaning.
- ▶ Check the condensate drain regularly.
Clean the condensate drain when necessary. If it is blocked, the condensate collects on the bottom of the refrigerator.



Find additional care instructions for stainless steel and glass surfaces online on documents.dometic.com/?object_id=69917

11 Troubleshooting

Fault	Possible cause	Remedy
The device does not work.	The device is not connected to a power supply.	▶ Connect the device, see chapter “Connecting the device to the power supply” on page 29.
	The device is switched off.	▶ Switch the device on, see chapter “Switching the device on/off” on page 31.
	The circuit breaker tripped.	▶ Switch on the circuit breaker.
	The fuse has blown.	▶ Replace the fuse.

Fault	Possible cause	Remedy
The device is not cold enough.	The temperature is not set properly.	➤ Check the set temperature.
	The ambient temperature could require a higher temperature setting.	➤ Set a higher temperature (see chapter "Setting the temperature" on page 32).
	The door was opened frequently.	➤ Do not open the door more often than necessary.
	The door was not closed properly.	➤ Close door properly.
	The door is not hermetically sealed.	➤ Check the door seal and clean it. ➤ If necessary, contact an authorized service agent to replace the seal.
	The condenser is too dirty.	➤ Clean the condenser.
	The ventilation opening is blocked.	➤ Clean the ventilation openings.
The device switches itself on and off.	The room temperature is higher than specified in the technical data (see chapter "Technical data" on page 40).	➤ Put the device in a cooler place (see chapter "Moving the device" on page 33).
	The device was recently replenished with new food.	➤ Allow the device to work for a while until the set temperature has been reached.
	The door was opened frequently.	➤ Do not open the door more often than necessary.
	The door was not closed properly.	➤ Close door properly.
	The door is not hermetically sealed.	➤ Check the door seal and clean it. ➤ If necessary, contact an authorized service agent to replace the seal.

Fault	Possible cause	Remedy
The interior LED lamp does not work.	The device is not connected to a power supply.	➤ Connect the device (see chapter “Connecting the device to the power supply” on page 29).
	The circuit breaker tripped.	➤ Switch on the circuit breaker.
	The fuse has blown.	➤ Replace the fuse.
	The interior LED lamp was switched off via the control panel.	➤ Switch on the interior LED lamp (see chapter “Switching the light on/off” on page 31).
The device vibrates.	The device is not properly aligned.	➤ Align out the device with the adjustable feet (see chapter “Adjusting the feet” on page 29).
The device make noise.	The noise is probably caused by the refrigerant. At the end of each cycle, you will hear noises made by the flow of refrigerant. If temperature fluctuations occur, the contraction and expansion of the inner walls may cause popping and cracking noises.	This is a normal process.
	The device is not properly aligned.	➤ Align out the device with the adjustable feet (see chapter “Adjusting the feet” on page 29).
The door does not close properly.	The device is not properly aligned.	➤ Align out the device with the adjustable feet (see chapter “Adjusting the feet” on page 29).
	The door hinge was changed incorrectly.	➤ Check the door hinge and reassemble correctly.
	The door seal is dirty.	➤ Clean the door seal.
	The shelves are not fitted correctly.	➤ Check the shelves and refit correctly (seechapter “Adjusting the shelves” on page 29).

Fault	Possible cause	Remedy
The device beeps consistently.	The door has been open for more than 60 seconds.	<ul style="list-style-type: none"> ➤ Close the door for at least 15 minutes.
	The door has been open frequently.	<ul style="list-style-type: none"> ➤ Do not open the door more often than necessary. ➤ Close the door for at least 15 minutes.
	The temperature has changed significantly from the set temperature.	<ul style="list-style-type: none"> ➤ Close the door and wait for the device to reach the set temperature. ➤ Let hot food cool down before placing it into the device.
	The device is defect.	<ul style="list-style-type: none"> ➤ Contact an authorized service agent.

Fault	Possible cause	Remedy
A layer of ice has formed in the device.	The door was opened frequently.	<ul style="list-style-type: none"> ▶ Do not open the door more often than necessary. ▶ Defrost the device if necessary (see chapter "Troubleshooting" on page 34).
	The set temperature is too low.	▶ Increase the temperature (see chapter "Setting the temperature" on page 32).
	The ambient temperature is too warm.	▶ Move the device to a cooler place (see chapter "Moving the device" on page 33).
	The device is overfilled.	▶ Remove items from the device .
	The door seal is defective.	▶ Contact an authorized service agent.
	The door is warped.	▶ Contact an authorized service agent.
	The light is switched on permanently.	<ul style="list-style-type: none"> ▶ Switch the light off. ▶ Contact an authorized service agent to replace the light button.
	The thermal fuses or the defrost thermostat are damaged.	▶ Contact an authorized service agent.
	A part of the device or the entire device is defective.	▶ Contact an authorized service agent.

12 Warranty

Refer to the sections below for information about warranty and warranty support in the US, Canada, and all other regions.

12.1 United States and Canada

LIMITED WARRANTY AVAILABLE AT
DOMETIC.COM/WARRANTY.

IF YOU HAVE QUESTIONS, OR WANT TO OBTAIN A COPY OF THE LIMITED WARRANTY FREE OF CHARGE, CONTACT:

DOMETIC CORPORATION
 CUSTOMER SERVICE
 ATTN: WARRANTY DEPARTMENT
 13259 EAST 166TH STREET
 CERRITOS, CA 90703
 PHONE: 1-800-789-2206
 FAX: 562 802-3391

12.2 All Other Regions

The statutory warranty period applies. If the product is defective, please contact the manufacturer's branch in your region (dometic.com/dealer) or your retailer.

For repair and warranty processing, please include the following documents when you send in the device:

- A copy of the receipt with purchasing date
- A reason for the claim or description of the fault

Note that self-repair or nonprofessional repair can have safety consequences and might void the warranty.

13 Disposal

Recycling packaging material



- ▶ Place the packaging material in the appropriate recycling waste bins wherever possible.

Recycling products with non-replaceable batteries, rechargeable batteries or light sources



- ▶ Dispose the product in accordance with all applicable regulations.
- ▶ The product can be disposed free of charge.





WARNING! Fire hazard

- The refrigerant is highly flammable. Do not open or damage the refrigerant circuit.
- The insulation of the device contains an insulating gas (see data plate). Do not damage the insulation.





WARNING! Risk of child entrapment


Before disposing of your old product:

- Remove any doors.
- Leave the shelves in the product so that children cannot climb inside.

14 Technical data

	DE15F	DE24F	EA15F
Input voltage	110 – 120 V 60 Hz		
Total volume	90 l	142 l	90 l
Rated input power	110 W		
Ambient temperature	10 °C (50 °F) to 38 °C (100 °F)		
Storage temperature range	1 °C (34 °F) to 22 °C (72 °F)		
Noise emission	45 dB		
Propellant	Cyclopentane		
Refrigerant	R600a		
Dimensions	fig. 15, page 10	fig. 16, page 10	fig. 15, page 10
Weight	31.5 kg	35 kg	31.5 kg
Certifications	 		

Follow EPA use conditions.

	EA24B	EA24D	EA24F
Input voltage	110 – 120 V 60 Hz		
Total volume	150 l		
Rated input power	110 W		
Ambient temperature	10 °C (50 °F) to 38 °C (100 °F)		
Storage temperature range	1 °C (34 °F) to 22 °C (72 °F)		
Noise emission	45 dB		
Propellant	Cyclopentane		
Refrigerant	R600a		
Dimensions	fig. 17, page 11		
Weight	42 kg	49 kg	36.5 kg
Certifications			

Follow EPA use conditions.

15 Legal

This device complies with Part 15 of the FCC Rules. Operation is subject to the following two conditions:

- This device may not cause harmful interference.
- This device must accept any interference received, including interference that may cause undesired operation.

Changes or modifications not expressly approved by the party responsible for compliance could void the user's authority to operate the equipment.

This equipment has been tested and found to comply with the limits for a Class B digital device, pursuant to part 15 of the FCC Rules. These limits are designed to provide reasonable protection against harmful interference in a residential installation. This equipment generates, uses and can radiate radio frequency energy and, if not installed and used in accordance with the instructions, may cause harmful interference to radio communications. However, there is no guarantee that interference will not occur in a particular installation. If this equipment does cause harmful interference to radio or television reception, which can be determined by turning the equipment off and on, the user is encouraged to try to correct the interference by one or more of the following measures:

- Reorient or relocate the receiving antenna.
- Increase the separation between the equipment and receiver.
- Connect the equipment into an outlet on a circuit different from that to which the receiver is connected.
- Consult the dealer or an experienced radio/TV technician for help.

This device complies with Industry Canada license-exempt RSS standard(s). Operation is subject to the following two conditions:

- This device may not cause interference.
- This device must accept any interference, including interference that may cause undesired operation of the device. This Class B digital apparatus complies with Canadian ICES-3(B)/NMB-3(B).

Veillez lire et suivre attentivement l'ensemble des instructions, directives et avertissements figurant dans ce manuel afin d'installer, d'utiliser et d'entretenir le produit correctement à tout moment. Ces instructions DOIVENT rester avec le produit.

En utilisant ce produit, vous confirmez expressément avoir lu attentivement l'ensemble des instructions, directives et avertissements et que vous comprenez et acceptez de respecter les modalités et conditions énoncées dans le présent document. Vous acceptez d'utiliser ce produit uniquement pour l'usage et l'application prévus et conformément aux instructions, directives et avertissements figurant dans le présent manuel, ainsi qu'à toutes les lois et réglementations applicables. En cas de non-respect des instructions et avertissements figurant dans ce manuel, vous risquez de vous blesser ou de blesser d'autres personnes, d'endommager votre produit ou d'endommager d'autres biens à proximité. Le présent manuel produit, y compris les instructions, directives et avertissements, ainsi que la documentation associée peuvent faire l'objet de modifications et de mises à jour. Pour obtenir des informations actualisées sur le produit, veuillez consulter le site documents.domestic.com.

Sommaire

1	Signification des symboles	43
2	Consignes de sécurité	44
3	Contenu de la livraison	47
4	Usage conforme	48
5	Description technique	49
6	Installation	51
7	Avant la première utilisation	54
8	Utilisation	54
9	Rangement de l'appareil	58
10	Nettoyage et entretien	58
11	Guide de dépannage	59
12	Garantie	64
13	Mise au rebut	64
14	Caractéristiques techniques	65
15	Mentions légales	67

1 Signification des symboles



AVERTISSEMENT !

Consignes de sécurité : indiquent une situation dangereuse qui, si elle n'est pas évitée, est susceptible d'entraîner des blessures graves, voire mortelles.

**ATTENTION !**

Consignes de sécurité : indiquent une situation dangereuse qui, si elle n'est pas évitée, est susceptible d'entraîner des blessures légères ou de gravité modérée.

**AVIS !**

indiquent une situation dangereuse qui, si elle n'est pas évitée, peut entraîner des dommages matériels.

**REMARQUE**

Informations complémentaires sur l'utilisation de ce produit.

2 Consignes de sécurité

2.1 Sécurité générale



AVERTISSEMENT ! Le non-respect de ces mises en garde peut entraîner des blessures graves, voire mortelles.

Risque d'électrocution

- L'appareil doit être installé par un technicien qualifié conformément aux instructions de montage Dometic.
- Si l'appareil présente des dégâts visibles, ne le mettez pas en service.
- Si le câble d'alimentation de l'appareil est endommagé, il doit être remplacé par le fabricant, un agent de service ou une personne de qualification similaire, afin d'éviter tout danger.
- Seul un personnel qualifié est habilité à effectuer des réparations sur l'appareil. Toute réparation mal effectuée risquerait d'entraîner de graves dangers.
- Veillez à ne pas coincer ni endommager le cordon d'alimentation lors de la mise en place de l'appareil.
- Ne placez pas de multiprises portables ou de blocs d'alimentation portables à l'arrière de l'appareil.
- Branchez l'appareil sur des prises permettant un raccordement approprié, en particulier lorsque l'appareil doit être relié à la terre.
- N'utilisez pas l'appareil à proximité de vapeurs ou de liquides inflammables.

Risque d'incendie

- Après l'installation, il doit être possible de débrancher l'appareil du secteur. Pour ce faire, la prise de courant doit être accessible ou un interrupteur doit être ajouté dans le câblage fixe, conformément aux règles de câblage.
- Le réfrigérant du circuit frigorifique s'enflamme facilement.
En cas d'endommagement du circuit frigorifique :
 - Éteignez l'appareil.
 - Évitez toute flamme nue et/ou étincelle.
 - Aérez bien la pièce.

Risque d'explosion

- Ne stockez aucune substance explosive comme des aérosols contenant des agents propulseurs dans l'appareil.

Risque pour la santé

- Cet appareil peut être utilisé par des enfants âgés de 8 ans et plus et des personnes ayant des capacités physiques, sensorielles ou mentales réduites ou un manque d'expérience et de connaissances, s'ils sont sous surveillance ou ont reçu des instructions sur l'utilisation de l'appareil en toute sécurité et comprennent les risques impliqués.
- Les enfants âgés de 3 à 8 ans sont autorisés à charger et décharger l'appareil de réfrigération.
- Les enfants ne doivent pas jouer avec cet appareil.
- Le nettoyage et l'entretien ne doivent pas être effectués par des enfants sans surveillance.



ATTENTION ! Le non-respect de ces mises en garde peut entraîner des blessures légères ou de gravité modérée.

Risque d'écrasement

- Ne mettez pas vos doigts dans la charnière.

Risque de blessure

- Posez le câble d'alimentation de manière à ce que personne ne puisse trébucher dessus.

**AVIS ! Risque d'endommagement**

- Vérifiez que la tension indiquée sur la plaque signalétique correspond à l'alimentation électrique dont vous disposez.
- N'utilisez pas l'appareil pour le stockage de produits corrosifs ou de solvants.
- Veillez à ce que l'ouverture d'évacuation soit toujours propre.

- N'ouvrez jamais le circuit frigorifique.
- Portez uniquement l'appareil en position verticale.
- Ne placez pas l'appareil à proximité de flammes nues ou d'autres sources de chaleur (radiateurs, lumière du soleil, fours à gaz, etc.).

2.2 Consignes de sécurité concernant le fonctionnement de l'appareil



DANGER ! Le non-respect de cette mise en garde entraînera des blessures graves, voire mortelles.

Risque d'électrocution

- Ne touchez pas les câbles dénudés à mains nues.



AVERTISSEMENT ! Le non-respect de ces mises en garde peut entraîner des blessures graves, voire mortelles.

Risque d'incendie

- Veillez à ce que les orifices de ventilation situés sur le châssis de l'appareil ou dans la structure intégrée ne soient pas obstrués.
- N'utilisez pas d'objets mécaniques ou d'autres moyens pour accélérer le processus de dégivrage, outre ceux recommandés par le fabricant.
- N'endommagez pas le circuit frigorifique.
- N'utilisez aucun appareil électrique dans les compartiments de l'appareil, sauf si leur usage est recommandé par le fabricant.



ATTENTION ! Le non-respect de ces mises en garde peut entraîner des blessures légères ou de gravité modérée.

Risque d'électrocution

- Avant de mettre l'appareil en service, assurez-vous que la ligne d'alimentation électrique et le connecteur sont secs.
- Coupez l'alimentation en courant du dispositif de réfrigération
 - avant tout nettoyage et entretien
 - après chaque utilisation

Risque pour la santé

- Vérifiez si la capacité de refroidissement de l'appareil est adaptée au stockage des boissons à refroidir.
- Stockez uniquement des bouteilles fermées et scellées dans l'appareil.

- Une ouverture prolongée de la porte peut entraîner une augmentation significative de la température dans les compartiments de l'appareil. Si l'appareil est laissé vide pendant une longue période :
 - Éteignez l'appareil.
 - Dégivrez l'appareil.
 - Nettoyez et séchez l'appareil.
 - Laissez la porte ouverte pour éviter que des moisissures ne se développent dans l'appareil.



AVIS ! Risque d'endommagement

- Ne plongez jamais l'appareil dans l'eau.
- Tenez l'appareil et les câbles à l'abri de la chaleur et de l'humidité.

3 Contenu de la livraison

DE15F, DE24F, EA15F, EA24B, EA24F

Composant	Quantité
Réfrigérateur	1
Poignée	1
Clayette	EA15F, EA24F : 3 EA24B : 2
Kit de remplacement de charnière	1
Clé	2
Support de clayette	EA15F, EA24F : 12 EA24B : 8
Bref manuel d'installation et d'utilisation	1

EA24D

Composant	Quantité
Réfrigérateur	1
Poignée	2
Panier	1
Support anti-basculement	1
Kit de fixation	1

Composant	Quantité
Clé	2
Bref manuel d'installation et d'utilisation	1

4 Usage conforme

Le réfrigérateur est exclusivement destiné au stockage et au contrôle de la température des boissons. Il est adapté à un usage mobile et encastré en extérieur.

Ce réfrigérateur n'est **pas** destiné à être utilisé comme appareil autonome.

Le réfrigérateur n'est **pas** conçu pour :

- Congélation de denrées alimentaires
- Stockage d'aliments
- Médicaments et autres produits médicaux
- Installation dans les véhicules
- Installation sur des bateaux, des yachts ou des navires
- Le stockage de substances corrosives ou contenant des solvants
- Utilisation commerciale

Le réfrigérateur convient uniquement à l'usage et à l'application prévus, conformément au présent manuel d'instructions.

Ce manuel fournit les informations nécessaires à l'installation et/ou à l'utilisation correcte du réfrigérateur. Une installation, une utilisation ou un entretien inappropriés entraînera des performances insatisfaisantes et une éventuelle défaillance.

Le fabricant décline toute responsabilité en cas de blessure ou de dommage résultant :

- d'un montage ou d'un raccordement incorrect, y compris d'une surtension
- d'un entretien inadapté ou de l'utilisation de pièces de rechange autres que les pièces de rechange d'origine fournies par le fabricant
- de modifications apportées au produit sans autorisation explicite du fabricant
- d'usages différents de ceux décrits dans ce manuel

Dometic se réserve le droit de modifier l'apparence et les spécifications produit.

5 Description technique

Le circuit frigorifique est sans entretien.

L'appareil est disponible en version encastrable, destinée à être utilisée avec des meubles d'extérieur.

Lors du fonctionnement à une température ambiante comprise entre 10 °C (50 °F) et 38 °C (100 °F), l'appareil peut maintenir une température intérieure comprise entre 0 °C (32 °F) et 22 °C (72 °F).

La température peut être réglée à l'aide du panneau de commande situé à l'intérieur de l'appareil.

5.1 Vue d'ensemble

DE24F, EA15F, EA24B, EA24F (fig. 1, page 3 à fig. 4, page 4)

Pos.	Explication
1	Panneau de commande
2	Poignée
3	Sonde de température
4	Trappe
5	Dispositif de verrouillage de la porte
6	Pieds réglables
7	Gril
8	Clayette
9	Ventilateur
10	LED intérieure

DE15F (fig. 5, page 5)

Pos.	Explication
1	Panneau de commande
2	Poignée
3	Sonde de température

Pos.	Explication
4	Trappe
5	Pieds réglables
6	Gril
7	Clayette
8	Ventilateur
9	LED intérieure

EA24D (fig. 6, page 5)

Pos.	Explication
1	Panneau de commande
2	Panier
3	Poignée
4	Trappe
5	Gril
6	Pieds réglables

5.2 Panneau de commande

L'appareil est équipé d'un panneau de commande offrant différents réglages de fonctionnement.

DE15F, DE24F (fig. 7, page 6)

Pos.	Explication
1	Touche Marche/Arrêt
2	Indicateur de verrouillage
3	Touche d'éclairage
4	Écran
5	Boutons de réglage
6	Indicateur d'unité de température

EA 15F, EA 24B, EA 24F (fig. 8, page 6)

Pos.	Explication
1	Touche Marche/Arrêt
2	Touche d'éclairage
3	Écran
4	Boutons de réglage

EA 24D (fig. 9, page 7)

Pos.	Explication
1	Touche Marche/Arrêt
2	Touche d'éclairage
3	Écran
4	Boutons de réglage

5.3 Fonction d'alarme

L'appareil est équipé d'une fonction d'alarme. L'alarme retentit lorsque la température à l'intérieur de l'appareil a dévié de manière significative par rapport à la température de consigne ou que la porte de l'appareil a été ouverte fréquemment ou pendant plus de 60 secondes.

6 Installation**AVERTISSEMENT ! Risque d'électrocution**

Assurez-vous que les raccordements électriques sont conformes aux normes locales et nationales.

6.1 Montage des poignées

- Procédez comme indiqué (fig. 10, page 7).

6.2 Insertion des supports de clayette

- Procédez comme indiqué (fig. 11, page 8).

6.3 Insertion de la grille

- ▶ Procédez comme indiqué :
 - **DE15F, DE24F** : fig. **12**, page 8
 - **EA15F, EA24F** : fig. **13**, page 9
 - **EA24B** : fig. **14**, page 9

6.4 Sélection de l'emplacement d'installation



AVERTISSEMENT ! Risque de blessure

Déplacez l'appareil à 2 personnes minimum.

Veuillez respecter les consignes suivantes lors du choix de l'emplacement de montage :

- La température ambiante doit être conforme à la classe climatique. Sinon, il se peut que la température de consigne interne ne puisse être atteinte ou maintenue. Cela peut également se produire en cas d'importantes fluctuations de la température ambiante.

La température ambiante prévue et la classe climatique sont indiquées dans les caractéristiques techniques (voir chapitre « Caractéristiques techniques », page 65) et sur la plaque signalétique de l'appareil.

- Le sol doit être de niveau et suffisamment stable pour soutenir l'appareil lorsqu'il est complètement chargé.
 - L'appareil doit être placé de manière à ce que la prise soit accessible.
 - Observez les consignes relatives aux raccordements électriques (chapitre « Raccordement électrique de l'appareil », page 53).
 - N'installez pas l'appareil dans une zone présentant une humidité excessive.
- ▶ Retirez tous les matériaux d'emballage intérieur et extérieur avant d'installer l'appareil.

6.5 Mise en place de l'appareil



REMARQUE

- Tenez compte des dimensions et des distances de sécurité de l'appareil lors de son installation (fig. **15**, page 10 à fig. **18**, page 11).
- Assurez-vous que la porte peut être complètement ouverte et qu'elle n'est pas bloquée par d'autres objets.

DE15F, DE24F, EA15F, EA24B, EA24F

1. Assurez-vous que la porte est verrouillée lorsque vous déplacez l'appareil.
2. Si nécessaire, fixez la porte avec du ruban adhésif.
3. Placez l'appareil.

EA24D uniquement

1. Fixez les tiroirs avec du ruban adhésif lorsque vous déplacez l'appareil.
2. Fixez les supports anti-basculement au sol (fig. **19**, page 12).
3. Placez l'appareil.

6.6 Raccordement électrique de l'appareil**AVIS ! Risque d'endommagement**

- Ne modifiez pas la prise et veillez à ne pas l'endommager.
- Ne branchez pas l'appareil sur une prise dont l'alimentation peut être coupée à l'aide d'un interrupteur ou d'une chaînette.
- Pour éviter les chutes de tension et les pertes de performances, n'utilisez pas d'adaptateurs, de rallonges électriques ou de multiprises.
- Assurez-vous qu'un disjoncteur différentiel est installé sur l'alimentation. Demandez conseil à un électricien agréé.
- Respectez la tension d'entrée (voir chapitre « Caractéristiques techniques », page 65).

**REMARQUE**

Laissez l'appareil reposer à la verticale pendant 24 heures avant de le raccorder à l'alimentation.

- Branchez l'appareil sur une prise CA.

6.7 Réglage des pieds**REMARQUE**

La partie inférieure de l'appareil doit être parallèle au sol.

- Réglez les pieds de sorte que l'appareil soit de niveau (fig. **20**, page 12).

6.8 Modification du côté d'ouverture de la porte

La charnière de la porte peut être changée de sorte qu'elle s'ouvre vers la gauche et non vers la droite.

- Remplacez la charnière de la porte (fig. **21**, page 13 à fig. **24**, page 16).

6.9 Ajustement des clayettes

- Ajustez les clayettes (fig. **24**, page 16 à fig. **26**, page 17).

7 Avant la première utilisation

- Pour des raisons d'hygiène, nettoyez l'intérieur et l'extérieur de l'appareil à l'aide d'un chiffon humide avant de l'allumer pour la première fois (voir chapitre « Nettoyage et entretien », page 58).

8 Utilisation



REMARQUE

Ne retirez pas la membrane du panneau de commande lors de l'utilisation de l'appareil.

8.1 Stockage des bouteilles



ATTENTION ! Risque pour la santé

Vérifiez si la capacité de refroidissement de l'appareil est adaptée au stockage des boissons à refroidir.



AVIS ! Risque d'endommagement

- Veillez à ce que les boissons placées dans des conteneurs en verre ne soient pas soumises à des températures trop basses. En gelant, le volume des boissons et aliments liquides augmente, ce qui peut détruire les récipients en verre.
- Stockez uniquement des bouteilles fermées et scellées dans l'appareil.
- Assurez-vous que seuls les articles pouvant être conservés à la température sélectionnée sont placés dans l'appareil.
- Si l'appareil a été débranché, éteint ou déconnecté de l'alimentation, attendez 5 minutes avant de le remettre en marche.
- N'ouvrez pas l'appareil brusquement.
- **DE15F, DE24F, EA24B, EA15F, EA24F uniquement :** N'empilez pas les bouteilles.

- Positionnez les bouteilles comme indiqué sur les fig. **27**, page 17 à fig. **29**, page 18.

8.2 Économie d'énergie

- Ouvrez uniquement le centre de rafraîchissement lorsque c'est nécessaire et le moins longtemps possible.
- Laissez refroidir les boissons chaudes avant de les placer dans l'appareil.
- Dégivrez le centre de rafraîchissement dès qu'une couche de glace se forme.
- Évitez une température intérieure inutilement basse.
- Pour une consommation d'énergie optimale, positionnez les clayettes et les tiroirs conformément à leur position à la livraison.
- Vérifiez régulièrement que le joint de la porte est correctement positionné.
- Nettoyez régulièrement le condenseur pour enlever la poussière et les salissures.
- Ne placez pas de papier aluminium, de papier sulfurisé ou de serviettes en papier sur les clayettes, car ils nuisent à la bonne circulation de l'air.

8.3 Verrouillage/déverrouillage de l'appareil (DE15F, DE24F, EA15F, EA24B, EA24F uniquement)



AVIS ! Risque d'endommagement

Assurez-vous que la clé est complètement insérée dans la serrure avant de la tourner.

- ▶ Insérez la clé dans la serrure et tournez-la comme suit :
 - ▶ Sens horaire : Verrouiller l'appareil.
 - ▶ Sens anti-horaire : Déverrouiller l'appareil.

8.4 Mise en marche/arrêt de l'appareil

- ▶ Appuyez sur le bouton Marche/Arrêt pendant 6 secondes pour allumer ou éteindre l'appareil.



REMARQUE

Après la mise en marche, l'appareil a besoin d'un certain temps avant que le compresseur ne se mette en marche.

- ▶ Vérifiez que l'appareil ne fuit pas après la première mise sous tension.

8.5 Verrouillage/déverrouillage du panneau de commande (DE15F et DE24F uniquement)

Le panneau de commande est équipé d'une fonction de verrouillage pour éviter tout réglage involontaire.

- ▶ Appuyez simultanément sur le bouton Marche/Arrêt et le bouton d'éclairage pendant 2 secondes pour verrouiller ou déverrouiller le panneau de commande.

8.6 Allumage/extinction de l'éclairage

La LED intérieure s'allume lorsque l'appareil est ouvert et s'éteint lorsqu'il est fermé.

- ▶ Pour allumer ou éteindre la LED intérieure lorsque la porte est ouverte, appuyez sur le bouton d'éclairage. La LED intérieure s'allume lors de la prochaine ouverture de la porte.

EA15F, EA24B, EA24D, EA24F uniquement

- ▶ Pour allumer ou éteindre la LED intérieure, maintenez le bouton d'éclairage enfoncé pendant 6 secondes.
- ✓ Le réglage manuel de l'éclairage est activé.
- ✓ L'écran affiche « CL » (FERMÉ) pendant quelques secondes lorsque le réglage manuel de l'éclairage est activé.
- ✓ L'écran affiche « OP » (OUVERT) pendant quelques secondes lorsque le réglage manuel de l'éclairage est désactivé.

8.7 Réglage de la température

- ▶ Appuyez sur les boutons de réglage pour ajuster la température de 1 °C/1 °F.
- ✓ La valeur de température affichée clignote pendant le réglage de la température. 3 secondes après le réglage de la température, l'écran affiche la température actuelle dans l'appareil. La valeur de température change en augmentant ou en diminuant jusqu'à ce que la température définie dans l'appareil soit atteinte.

8.8 Modification de l'unité de température

- ▶ Appuyez simultanément sur les boutons de réglage pendant 2 secondes pour modifier l'unité de température.
- ✓ Le symbole de l'unité correspondante s'allume.

8.9 Dégivrage de l'appareil

Une légère couche de givre ou quelques gouttes d'eau peuvent se former à l'intérieur de l'appareil s'il a été utilisé pendant une période prolongée. Cela peut avoir plusieurs causes (voir chapitre « Guide de dépannage », page 59).

1. Retirez tous les articles de l'appareil.
2. Appuyez sur le bouton Marche/Arrêt pendant 6 secondes pour éteindre l'appareil.
3. Laissez la porte ouverte.
4. Essuyez l'eau de condensation à l'intérieur de l'appareil avec un chiffon sec lorsque la glace a fondu.
5. Nettoyez l'appareil avec un chiffon humide.

8.10 Déplacement de l'appareil



AVERTISSEMENT ! Risque de blessure

Déplacez l'appareil à 2 personnes minimum.



AVIS ! Risque d'endommagement

Assurez-vous que l'appareil reste en position verticale et sécurisée pendant le transport.

1. Retirez tous les articles de l'appareil.
2. Fixez les pieds à la partie inférieure de l'appareil.

3. **DE15F, DE24F, EA15F, EA24B, EA24F uniquement** : Verrouillez la porte.
EA24D uniquement : Fixez les tiroirs à l'aide de ruban adhésif.
4. Protégez l'extérieur de l'appareil avec une couverture ou un objet similaire.

9 Rangement de l'appareil

Si l'appareil reste éteint pendant plusieurs semaines, des odeurs ou des moisissures peuvent se former à l'intérieur.

1. Retirez tous les articles de l'appareil.
2. Nettoyez et séchez l'intérieur de l'appareil (voir chapitre « Nettoyage et entretien », page 58).
3. Laissez la porte de l'appareil ouverte.

10 Nettoyage et entretien



AVERTISSEMENT ! Risque d'incendie

- Les réparations, l'entretien ou la recharge de l'appareil doivent uniquement être réalisés par du personnel qualifié.
- Le circuit frigorifique de cet appareil contient du fluide frigorigène inflammable.
- Une réparation ou une maintenance incorrecte peut entraîner de graves dangers.
- Notez que toute réparation effectuée par une personne non agréée peut présenter un risque de sécurité et annuler la garantie.



AVERTISSEMENT ! Risque d'électrocution

Avant toute opération de nettoyage ou d'entretien du réfrigérateur, veillez à débrancher celui-ci du secteur.



AVIS ! Risque d'endommagement

- N'utilisez pas de produits de lavage abrasifs ou d'objets durs pour le nettoyage car ceux-ci pourraient endommager l'appareil.
- N'utilisez jamais d'outils durs ou pointus pour enlever les couches de glace ou pour détacher des objets pris dans le givre.
- N'utilisez aucun moyen mécanique ou autre pour accélérer la procédure de dégivrage.

- ▶ Nettoyez le réfrigérateur régulièrement et dès qu'il est sale, avec un chiffon humide.
- ▶ Veillez à ce que de l'eau ne goutte pas sur les joints. Cela risque d'endommager les composants électroniques.
- ▶ Essuyez l'appareil avec un chiffon après l'avoir nettoyé.
- ▶ Vérifiez régulièrement l'évacuation de la condensation.
Nettoyez l'évacuation de la condensation si nécessaire. Si elle est obstruée, la condensation s'accumule en bas du réfrigérateur.



Vous trouverez des instructions d'entretien supplémentaires pour les surfaces en acier inoxydable et en verre en ligne sur documents.dometic.com/?object_id=69917

11 Guide de dépannage

Panne	Cause possible	Solution
L'appareil ne fonctionne pas.	L'appareil n'est pas raccordé au secteur.	▶ Branchez l'appareil, voir chapitre « Raccordement électrique de l'appareil », page 53.
	L'appareil s'éteint.	▶ Allumez l'appareil, voir chapitre « Mise en marche/arrêt de l'appareil », page 56.
	Le disjoncteur s'est déclenché.	▶ Réactivez le disjoncteur.
	Le fusible est grillé.	▶ Changez le fusible.

Panne	Cause possible	Solution
L'appareil n'est pas assez froid.	La température n'est pas réglée correctement.	► Vérifiez la température réglée.
	La température ambiante peut nécessiter un réglage plus élevé.	► Réglez une température plus élevée (voir chapitre « Réglage de la température », page 57).
	La porte a été ouverte fréquemment.	► N'ouvrez la porte que si nécessaire.
	La porte n'a pas été fermée correctement.	► Fermez la porte correctement.
	Le joint de la porte n'est pas hermétique.	► Vérifiez l'état du joint de la porte et nettoyez-le. ► Si nécessaire, contactez un agent de service agréé pour remplacer le joint.
	Le condenseur est trop sale.	► Nettoyer le condenseur.
	L'ouverture de ventilation est obstruée.	► Nettoyez les orifices de ventilation.
L'appareil s'allume et s'éteint tout seul.	La température ambiante est supérieure à celle spécifiée dans les caractéristiques techniques (voir chapitre « Caractéristiques techniques », page 65).	► Placez l'appareil dans un endroit plus frais (voir chapitre « Déplacement de l'appareil », page 57).
	L'appareil a récemment été réapprovisionné en aliments.	► Laissez l'appareil fonctionner pendant un certain temps jusqu'à ce que la température réglée soit atteinte.
	La porte a été ouverte fréquemment.	► N'ouvrez la porte que si nécessaire.
	La porte n'a pas été fermée correctement.	► Fermez la porte correctement.
	La porte n'est pas fermée hermétiquement.	► Vérifiez l'état du joint de la porte et nettoyez-le. ► Si nécessaire, contactez un agent de service agréé pour remplacer le joint.

Panne	Cause possible	Solution
La lampe LED intérieure ne fonctionne pas.	L'appareil n'est pas raccordé au secteur.	► Branchez l'appareil (voir chapitre « Raccordement électrique de l'appareil », page 53).
	Le disjoncteur s'est déclenché.	► Réactivez le disjoncteur.
	Le fusible est grillé.	► Changez le fusible.
	La LED intérieure a été éteinte via le panneau de commande.	► Allumez la LED intérieure (voir chapitre « Allumage/extinction de l'éclairage », page 56).
L'appareil vibre.	L'appareil n'est pas de niveau.	► Mettez l'appareil de niveau à l'aide des pieds réglables (voir chapitre « Réglage des pieds », page 53).
L'appareil fait du bruit.	Le bruit est probablement provoqué par le fluide frigorigène. À la fin de chaque cycle, vous entendrez des bruits causés par le flux de réfrigérant. Si des fluctuations de température se produisent, la contraction et la dilatation des parois intérieures peuvent provoquer des bruits de claquement et de craquement.	Il s'agit d'un processus normal.
	L'appareil n'est pas de niveau.	► Mettez l'appareil de niveau à l'aide des pieds réglables (voir chapitre « Réglage des pieds », page 53).

Panne	Cause possible	Solution
La porte ne ferme pas bien.	L'appareil n'est pas de niveau.	<ul style="list-style-type: none"> ➤ Mettez l'appareil de niveau à l'aide des pieds réglables (voir chapitre « Réglage des pieds », page 53).
	La charnière de la porte n'a pas été remplacée correctement.	<ul style="list-style-type: none"> ➤ Vérifiez la charnière de la porte et réassemblez-la correctement.
	Le joint de la porte est sale.	<ul style="list-style-type: none"> ➤ Nettoyez le joint de la porte.
	Les clayettes ne sont pas montées correctement.	<ul style="list-style-type: none"> ➤ Vérifiez la position des clayettes et replacez-les correctement (voir chapitre « Ajustement des clayettes », page 54).
L'appareil émet continuellement un bip sonore.	La porte est ouverte depuis plus de 60 secondes.	<ul style="list-style-type: none"> ➤ Fermez la porte pendant au moins 15 minutes.
	La porte a été ouverte fréquemment.	<ul style="list-style-type: none"> ➤ N'ouvrez la porte que si nécessaire. ➤ Fermez la porte pendant au moins 15 minutes.
	La température a considérablement dévié de la température de consigne.	<ul style="list-style-type: none"> ➤ Fermez la porte et attendez que l'appareil atteigne la température de consigne. ➤ Laissez refroidir les aliments chauds avant de les placer dans l'appareil.
	L'appareil est défectueux.	<ul style="list-style-type: none"> ➤ Contactez un agent de service agréé.

Panne	Cause possible	Solution
Une couche de glace s'est formée à l'intérieur de l'appareil.	La porte a été ouverte fréquemment.	<ul style="list-style-type: none"> ➤ N'ouvrez la porte que si nécessaire. ➤ Dégivrez l'appareil si nécessaire (voir chapitre « Guide de dépannage », page 59).
	La température de consigne est trop basse.	➤ Augmentez la température (voir chapitre « Réglage de la température », page 57).
	La température ambiante est trop élevée.	➤ Placez l'appareil à un endroit plus frais (voir chapitre « Déplacement de l'appareil », page 57).
	L'appareil est surchargé.	➤ Retirez des articles de l'appareil.
	Le joint de la porte est défectueux.	➤ Contactez un agent de service agréé.
	La porte est déformée.	➤ Contactez un agent de service agréé.
	L'éclairage reste allumé en permanence.	<ul style="list-style-type: none"> ➤ Éteignez l'éclairage. ➤ Contactez un agent de service agréé pour remplacer le bouton d'éclairage.
	Les fusibles thermiques ou le thermostat de dégivrage sont endommagés.	➤ Contactez un agent de service agréé.
	Une partie ou l'ensemble de l'appareil est défectueux.	➤ Contactez un agent de service agréé.

12 Garantie

Consultez les sections ci-dessous pour de plus amples informations relatives à la garantie et l'assistance dans le cadre de la garantie aux États-Unis, au Canada et dans toutes les autres régions.

12.1 États-Unis et Canada

GARANTIE LIMITÉE DISPONIBLE SUR
DOMETIC.COM/WARRANTY.

POUR TOUTE QUESTION OU POUR OBTENIR UNE COPIE GRATUITE DE LA
GARANTIE LIMITÉE, CONTACTEZ :

DOMETIC CORPORATION
CUSTOMER SERVICE
ATTN: WARRENTY DEPARTMENT
13259 EAST 166TH STREET
CERRITOS, CA 90703
PHONE: 1-800-789-2206
FAX: 562 802-3391

12.2 Toutes les autres régions

La période de garantie légale s'applique. Si le produit s'avérait défectueux, veuillez vous adresser à la succursale du fabricant située dans votre région (dometic.com/dealer) ou à votre revendeur spécialisé.

Pour toutes réparations ou autres prestations de garantie, veuillez joindre à l'appareil les documents suivants :

- Une copie de la facture avec la date d'achat
- Un motif de réclamation ou une description du dysfonctionnement

Notez que toute réparation effectuée par une personne non agréée peut présenter un risque de sécurité et annuler la garantie.

13 Mise au rebut

Recyclage des emballages



- Dans la mesure du possible, jetez les emballages dans les conteneurs de déchets recyclables prévus à cet effet.

Recyclage des produits contenant des piles non remplaçables, des batteries ou des sources lumineuses rechargeables



- Mettez le produit au rebut conformément à toutes les réglementations en vigueur.
- Le produit peut être mis au rebut gratuitement.



AVERTISSEMENT ! Risque d'incendie

- Le fluide frigorigène est hautement inflammable. N'ouvrez ou n'endommagez en aucun cas le circuit frigorifique.
- L'isolation de l'appareil comporte un gaz isolant (voir la plaque signalétique). N'endommagez pas l'isolation.




AVERTISSEMENT ! Risque de coincement des enfants

Avant de mettre au rebut votre ancien produit :


- Retirez toutes les portes.
- Laissez les clayettes dans le produit, afin que les enfants ne puissent pas entrer dedans.

14 Caractéristiques techniques

	DE15F	DE24F	EA15F
Tension d'entrée	110 – 120 V 60 Hz		
Volume total	90 l	142 l	90 l
Alimentation d'entrée nominale	110 W		
Température ambiante	10 °C (50 °F) à 38 °C (100 °F)		
Plage de température de stockage	1 °C (34 °F) à 22 °C (72 °F)		
Niveau de bruit	45 dB		
Propulsif	Cyclopentane		
Fluide frigorigène	R600a		
Dimensions	fig. 15 , page 10	fig. 16 , page 10	fig. 15 , page 10

	DE15F	DE24F	EA15F
Poids	31,5 kg	35 kg	31,5 kg
Certifications			

Suivez les conditions d'utilisation EPA.

	EA24B	EA24D	EA24F
Tension d'entrée	110 – 120 V 60 Hz		
Volume total	150 l		
Alimentation d'entrée nominale	110 W		
Température ambiante	10 °C (50 °F) à 38 °C (100 °F)		
Plage de température de stockage	1 °C (34 °F) à 22 °C (72 °F)		
Niveau de bruit	45 dB		
Propulsif	Cyclopentane		
Fluide frigorigène	R600a		
Dimensions	fig. 17, page 11		
Poids	42 kg	49 kg	36,5 kg
Certifications			

Suivez les conditions d'utilisation EPA.

15 Mentions légales

Cet appareil est conforme à la partie 15 des règles de la FCC. Le fonctionnement est soumis aux deux conditions suivantes :

- Cet appareil ne doit pas causer d'interférences nuisibles.
- Cet appareil doit accepter toutes les interférences, y compris celles susceptibles de causer un fonctionnement indésirable.

Les changements ou modifications qui ne sont pas expressément approuvés par la partie responsable de la conformité peuvent annuler le droit de l'utilisateur à utiliser l'équipement.

Cet équipement a été testé et déclaré conforme aux limites d'un appareil numérique de classe B, conformément à la partie 15 des règles de la FCC. Ces limites sont destinées à fournir une protection raisonnable contre les interférences nuisibles dans une installation résidentielle. Cet équipement génère, utilise et peut émettre une énergie de radiofréquence et, s'il n'est pas installé et utilisé conformément aux instructions, causer des interférences nuisibles aux communications radio. Cependant, il n'y a aucune garantie que des interférences ne se produiront pas dans une installation particulière. Si cet équipement provoque des interférences nuisibles à la réception des signaux radio ou de télévision, ce qui peut être déterminé en éteignant et en allumant l'équipement, l'utilisateur est encouragé à essayer de corriger ces interférences via une ou plusieurs des mesures suivantes :

- Réorienter ou déplacer l'antenne de réception.
- Augmenter la distance entre l'équipement et le récepteur.
- Connecter l'équipement à une prise sur un circuit différent de celui auquel le récepteur est connecté.
- Consulter le revendeur ou un technicien radio/TV expérimenté pour obtenir de l'aide.

Cet appareil est conforme aux normes RSS non soumises à licence d'Industrie Canada. Le fonctionnement est soumis aux deux conditions suivantes :

- Cet appareil ne doit pas causer d'interférences.
- Cet appareil doit supporter toutes les interférences, y compris celles susceptibles de causer un fonctionnement indésirable de l'appareil. Cet appareil numérique de classe B est conforme à la norme canadienne ICES-3(B)/NMB-3(B).

Lea atentamente estas instrucciones y siga las indicaciones, directrices y advertencias incluidas en este manual para asegurarse de que instala, usa y mantiene correctamente el producto en todo momento. Estas instrucciones DEBEN permanecer con este producto.

Al usar el producto, usted confirma que ha leído cuidadosamente todas las instrucciones, directrices y advertencias, y que entiende y acepta cumplir los términos y condiciones aquí establecidos. Usted se compromete a usar este producto solo para el propósito y la aplicación previstos y de acuerdo con las instrucciones, directrices y advertencias establecidas en este manual del producto, así como de acuerdo con todas las leyes y reglamentos aplicables. La no lectura e incumplimiento de las instrucciones y advertencias aquí expuestas puede causar lesiones a usted o a terceros, daños en el producto o daños en otras propiedades cercanas. Este manual del producto, incluyendo las instrucciones, directrices y advertencias, y la documentación relacionada, pueden estar sujetos a cambios y actualizaciones. Para obtener información actualizada sobre el producto, visite la página documents.dometic.com.

Índice

- 1 Explicación de los símbolos 68
- 2 Indicaciones de seguridad 69
- 3 Volumen de entrega 72
- 4 Uso previsto 73
- 5 Descripción técnica 74
- 6 Instalación 76
- 7 Antes del primer uso 79
- 8 Manejo. 79
- 9 Almacenamiento del aparato 82
- 10 Limpieza y cuidado 83
- 11 Resolución de problemas. 84
- 12 Garantía 88
- 13 Gestión de residuos 89
- 14 Datos técnicos. 90
- 15 Información legal 92

1 Explicación de los símbolos



¡ADVERTENCIA!
Información de seguridad: Indica una situación peligrosa que, de no evitarse, puede ocasionar la muerte o lesiones graves.

**¡ATENCIÓN!**

Información de seguridad: Indica una situación peligrosa que, de no evitarse, puede ocasionar lesiones moderadas o leves.

**¡AVISO!**

Indica una situación peligrosa que, de no evitarse, puede provocar daños materiales.

**NOTA**

Información adicional para el manejo del producto.

2 Indicaciones de seguridad

2.1 Seguridad general



¡ADVERTENCIA! El incumplimiento de estas advertencias podría acarrear la muerte o lesiones graves.

Riesgo de electrocución

- El aparato debe ser instalado por una persona técnicamente cualificada y siguiendo las instrucciones de montaje de Dometic.
- No ponga el aparato en funcionamiento si presenta desperfectos visibles.
- Si el cable de conexión de este aparato está dañado, debe ser reemplazado por el fabricante, un técnico de mantenimiento o una persona con cualificación similar para evitar posibles peligros.
- Solo el personal cualificado podrá realizar reparaciones en el aparato. Las reparaciones realizadas incorrectamente pueden generar situaciones de considerable peligro.
- Al colocar el aparato, asegúrese de que el cable de suministro eléctrico no se haya quedado atrapado o esté dañado.
- No coloque varias tomas o suministros de corriente portátiles detrás del aparato.
- Enchufe el aparato en tomas que garanticen una conexión correcta, sobre todo cuando sea necesario poner a tierra el aparato.
- No coloque vapores ni líquidos inflamables cerca del aparato.

Peligro de incendio

- El centro de bebidas tiene que poder desenchufarse de la red eléctrica después de ser instalado. Esto puede conseguirse haciendo que el enchufe quede accesible o montando un interruptor en el cableado fijo de acuerdo con las normas de cableado.
- El refrigerante del circuito de refrigeración es muy inflamable. En caso de daños en el circuito de refrigeración:
 - Desconecte el aparato.
 - Evite el fuego abierto y las chispas.
 - Ventile bien la habitación.

Peligro de explosión

- No guarde en el aparato sustancias explosivas, tales como aerosoles propelentes.

Riesgo para la salud

- Este aparato puede ser utilizado por menores a partir de 8 años y personas con capacidad física, sensorial o mental reducida, o con falta de experiencia y conocimientos, siempre que lo hagan bajo supervisión o hayan recibido instrucciones relativas al uso del mismo de manera segura y entendiendo los riesgos asociados.
- Los menores de 3 a 8 años pueden introducir y extraer productos del aparato frigorífico.
- No deje que los niños jueguen con el aparato.
- Los menores no deberán limpiar ni realizar el mantenimiento de usuario sin la debida supervisión.



¡ATENCIÓN! El incumplimiento de estas precauciones podría acarrear lesiones moderadas o leves.

Riesgo de aplastamiento

- No introduzca los dedos por el hueco de las bisagras de la puerta.

Peligro de lesiones

- Coloque el cable de alimentación de forma que no se tropiece con él.

**¡AVISO! Peligro de daños**

- Compruebe que la especificación de tensión indicada en la placa de características sea igual a la de la fuente de alimentación.
- Este aparato no es apto para almacenar sustancias corrosivas o que contengan disolventes.
- Mantenga siempre limpias las aberturas de desagüe.
- No abra nunca el circuito de refrigerante.

- Transporte el aparato siempre en posición vertical.
- No coloque el aparato cerca de una llama u otra fuente de calor (calefacción, luz solar directa, estufas de gas, etc.).

2.2 Uso seguro del aparato



¡PELIGRO! El incumplimiento de estas advertencias puede acarrear la muerte o lesiones graves.

Riesgo de electrocución

- No toque los cables con tensión directamente con las manos.



¡ADVERTENCIA! El incumplimiento de estas advertencias podría acarrear la muerte o lesiones graves.

Peligro de incendio

- Mantenga libres de obstáculos las aberturas de ventilación del aparato y de la estructura en la esté empotrado.
- No utilice objetos mecánicos u otros medios para acelerar el proceso de descongelación, salvo los recomendados por el fabricante.
- No dañe el circuito de frío.
- No utilice ningún dispositivo eléctrico en los compartimentos del aparato a no ser que estén expresamente recomendados por el fabricante.



¡ATENCIÓN! El incumplimiento de estas precauciones podría acarrear lesiones moderadas o leves.

Riesgo de electrocución

- Antes de poner el aparato en funcionamiento, asegúrese de que el cable de alimentación y la clavija de enchufe estén secos.
- Desconecte el aparato de refrigeración de la alimentación de corriente
 - antes de realizar cualquier tarea de limpieza o mantenimiento
 - después de cada uso

Riesgo para la salud

- Compruebe que la potencia de refrigeración del aparato sea la adecuada para las bebidas que desea enfriar.
- Almacene únicamente botellas cerradas y todavía precintadas.

- Dejar la puerta abierta durante un período prolongado puede producir un incremento considerable de la temperatura en los compartimentos del aparato. Si el aparato se deja vacío durante un tiempo prolongado:
 - Desconecte el aparato.
 - Descongele el aparato.
 - Limpie y seque el aparato.
 - Deje la puerta abierta para evitar que se genere moho dentro del aparato.



¡AVISO! Peligro de daños

- No sumerja nunca el aparato en agua.
- Proteja el aparato y los cables contra el calor y la humedad.

3 Volumen de entrega

DE15F, DE24F, EA15F, EA24B, EA24F

Componente	Cantidad
Nevera	1
Asa	1
Estante	EA15F, EA24F: 3 EA24B: 2
Kit de sustitución de bisagras	1
Llave	2
Soporte para estante	EA15F, EA24F: 12 EA24B: 8
Guía breve de instalación y funcionamiento	1

EA24D

Componente	Cantidad
Nevera	1
Asa	2
Cesta	1
Soporte anti-vuelco	1

Componente	Cantidad
Kit de fijación	1
Llave	2
Guía breve de instalación y funcionamiento	1

4 Uso previsto

La nevera está diseñada exclusivamente para almacenar bebidas y controlar su temperatura. Se puede utilizar como nevera móvil de uso exterior.

Esta nevera **no** está diseñada como aparato de libre instalación.

La nevera **no** es adecuada para:

- Congelación de productos alimenticios
- Almacenamiento de alimentos
- Medicamentos y otros productos médicos
- Instalación en vehículos
- Instalación en barcas, yates o barcos
- almacenar sustancias corrosivas o sustancias que contengan disolventes
- Uso comercial o minorista

Este refrigerador solo es apto para el uso previsto y la aplicación de acuerdo con estas instrucciones.

Este manual proporciona la información necesaria para la correcta instalación y/o funcionamiento del refrigerador. Una instalación deficiente y/o un uso y mantenimiento inadecuados conllevan un rendimiento insatisfactorio y posibles fallos.

El fabricante no se hace responsable de ninguna lesión o daño en el producto ocasionados por:

- Un montaje o conexión incorrectos, incluido un exceso de tensión
- Un mantenimiento incorrecto o el uso de piezas de repuesto distintas de las originales proporcionadas por el fabricante
- Modificaciones realizadas en el producto sin el expreso consentimiento del fabricante
- Uso con una finalidad distinta de la descrita en las instrucciones

Dometic se reserva el derecho de cambiar la apariencia y las especificaciones del producto.

5 Descripción técnica

El circuito de refrigeración no requiere mantenimiento.

El aparato está disponible en versión empotrada para combinar con mobiliario de exterior.

A una temperatura ambiente de entre 10 °C (50 °F) y 38 °C (100 °F), el aparato puede funcionar y mantener una temperatura interior de entre 0 °C (32 °F) y 22 °C (72 °F).

La temperatura se regula con el panel de control situado en el interior del aparato.

5.1 Vista general

DE 24F, EA 15F, EA 24B, EA 24F (fig. 1, página 3 a fig. 4, página 4)

Núm.	Explicación
1	Panel de control
2	Asa
3	Sonda de temperatura
4	Puerta
5	Pestillo
6	Patas de ajuste
7	Parrilla
8	Estante
9	Ventilador
10	LED interior

DE 15F (fig. 5, página 5)

Núm.	Explicación
1	Panel de control
2	Asa
3	Sonda de temperatura
4	Puerta

Núm.	Explicación
5	Patas de ajuste
6	Parrilla
7	Estante
8	Ventilador
9	LED interior

EA24D (fig. 6, página 5)

Núm.	Explicación
1	Panel de control
2	Cesta
3	Asa
4	Puerta
5	Parrilla
6	Patas de ajuste

5.2 Panel de control

El aparato está equipado con un panel de control para el funcionamiento y los ajustes.

DE15F, DE24F (fig. 7, página 6)

Núm.	Explicación
1	Pulsador de encendido y apagado
2	Indicador de bloqueo
3	Tecla de luz
4	Pantalla
5	Botones de ajuste
6	Indicador de la unidad de temperatura

EA15F, EA24B, EA24F (fig. 8, página 6)

Núm.	Explicación
1	Pulsador de encendido y apagado
2	Tecla de luz
3	Pantalla
4	Botones de ajuste

EA24D (fig. 9, página 7)

Núm.	Explicación
1	Pulsador de encendido y apagado
2	Tecla de luz
3	Pantalla
4	Botones de ajuste

5.3 Función de alarma

El aparato está equipado con una función de alarma. La alarma suena cuando la temperatura del interior del aparato ha cambiado significativamente con respecto a la temperatura ajustada o cuando la puerta del aparato ha estado abierta durante más de 60 segundos o se ha abierto con frecuencia.

6 Instalación**¡ADVERTENCIA! Riesgo de electrocución**

Asegúrese de que las conexiones eléctricas cumplen las normativas locales y estatales.

6.1 Montar las asas

- Proceda de la manera indicada (fig. 10, página 7).

6.2 Colocación de los soportes para estantes

- Proceda de la manera indicada (fig. 11, página 8).

6.3 Colocación de la rejilla

- Proceda como se indica:
 - **DE15F, DE24F:** fig. **12**, página 8
 - **EA15F, EA24F:** fig. **13**, página 9
 - **EA24B:** fig. **14**, página 9

6.4 Elección del lugar de instalación



¡ADVERTENCIA! Peligro de lesiones

El aparato debe ser trasladado por 2 personas como mínimo.

A la hora de seleccionar el lugar de instalación, tenga en cuenta lo siguiente:

- La temperatura ambiente debe ser acorde con la clase climática. De lo contrario, la temperatura interna establecida no se podrá alcanzar ni mantener. Esto también puede ocurrir si hay fluctuaciones extremas en la temperatura ambiente. La temperatura ambiente prevista para el uso y la clase climática se encuentran en los datos técnicos (véase capítulo “Datos técnicos” en la página 90) y en la placa de características del aparato.
 - El suelo debe estar nivelado y ser lo suficientemente estable como para soportar el peso del aparato cuando está completamente cargado.
 - El aparato debe colocarse de forma que el enchufe sea accesible.
 - Tenga en cuenta la información relativa a la conexión eléctrica (capítulo “Conexión del aparato a la fuente de alimentación” en la página 78).
 - No instale el aparato en una zona con humedad excesiva.
- Retire todos los materiales de embalaje interiores y exteriores antes de instalar el aparato.

6.5 Ubicación del aparato



NOTA

- Cuando instale el aparato tenga en cuenta las dimensiones y las distancias de seguridad (fig. **15**, página 10 a fig. **18**, página 11).
- Asegúrese de que la puerta se pueda abrir completamente y de que no quede bloqueada por otros objetos.

DE15F, DE24F, EA15F, EA24B, EA24F

1. Asegúrese de que la puerta no abra cuando mueva el aparato.
2. Si es necesario, fije la puerta con cinta adhesiva.

3. Coloque el aparato en el lugar deseado.

Solo para EA24D

1. Fije los cajones con cinta adhesiva cuando traslade el aparato.
2. Fije los soportes antivuelco en el suelo (fig. **19**, página 12).
3. Coloque el aparato en el lugar deseado.

6.6 Conexión del aparato a la fuente de alimentación



¡AVISO! Peligro de daños

- No modifique ni dañe el enchufe.
- No conecte el aparato a una toma que pueda apagarse con un interruptor o una cadena.
- Para evitar caídas de tensión y pérdidas de rendimiento, no utilice adaptadores, alargadores ni regletas.
- Asegúrese de que haya un interruptor de seguridad conectado al suministro eléctrico. Consulte con un electricista.
- Respete siempre la tensión de entrada (véase capítulo “Datos técnicos” en la página 90).



NOTA

Deje el aparato en posición vertical durante 24 horas antes de conectarlo a la fuente de alimentación.

- Conecte el aparato a una toma de CA.

6.7 Ajuste de las patas



NOTA

La parte inferior del aparato debe estar horizontal.

- Nivele el centro de bebidas ajustando la altura de las patas (fig. **20**, página 12).

6.8 Cambio del lado de apertura de la puerta

La bisagra de la puerta se puede cambiar para que se abra de un lado o de otro.

- Cambie el lado de apertura de la puerta (fig. **21**, página 13 a fig. **24**, página 16).

6.9 Ajuste de los estantes

- Ajuste los estantes (fig. **24**, página 16 a fig. **26**, página 17).

7 Antes del primer uso

- Por razones de higiene, limpie el aparato por dentro y por fuera con un paño húmedo antes de ponerlo en funcionamiento (véase capítulo “Limpieza y cuidado” en la página 83).

8 Manejo



NOTA

No retire la membrana del panel de control cuando utilice el aparato.

8.1 Almacenaje de botellas



¡ATENCIÓN! Riesgo para la salud

Compruebe que la potencia de refrigeración del aparato sea la adecuada para las bebidas que desea enfriar.



¡AVISO! Peligro de daños

- Asegúrese de que los líquidos envasados en recipientes de cristal no estén excesivamente refrigerados. Los líquidos se expanden cuando se congelan y esto podría provocar que los recipientes de vidrio estallen.
- Almacene únicamente botellas cerradas y todavía precintadas.
- Asegúrese de que en el aparato solo hay artículos que se puedan almacenar a la temperatura seleccionada.
- Si el aparato se ha desenchufado o apagado, o se ha desconectado el suministro eléctrico, espere 5 minutos antes de volver a encenderlo.
- No abra el aparato bruscamente.
- **Solo DE15F, DE24F, EA24B, EA15F, EA24F:** No apile botellas.

- Coloque las bebidas tal como se muestra en fig. **27**, página 17 a fig. **29**, página 18.

8.2 Ahorro de energía

- Abra centro de bebidas solamente el tiempo y las veces que sea necesario.
- Deje que las bebidas calientes se enfríen antes de introducirlas en el aparato.
- Descongele el centro de bebidas cuando se forme una capa de escarcha.
- No regule una temperatura innecesariamente baja en el interior.
- Para un consumo de energía óptimo, coloque los estantes y cajones en la misma posición que ocupan en el momento de la entrega.
- Compruebe periódicamente que la junta de la puerta cierra correctamente.
- Elimine regularmente el polvo y la suciedad del condensador.
- No cubra los estantes con papel de aluminio, papel encerado o papel de cocina, ya que impedirá la circulación adecuada del aire.

8.3 Bloqueo y desbloqueo de la puerta del aparato (solo DE15F, DE24F, EA15F, EA24B, EA24F)



¡AVISO! Peligro de daños

Asegúrese de que la llave esté completamente introducida en el ojo de la cerradura antes de girarla.

- ▶ Introduzca la llave en la cerradura y gírela de la siguiente manera:
 - ▶ Sentido horario: bloquea la puerta del aparato.
 - ▶ Sentido antihorario: desbloquea la puerta del aparato.

8.4 Encendido y apagado del aparato

- ▶ Pulse el botón de encendido/apagado durante 6 segundos para encender o apagar el aparato.



NOTA

Después de encender el aparato, el compresor necesita cierto tiempo hasta que arranca.

- ▶ Compruebe si hay fugas en el aparato después de encenderlo por primera vez.

8.5 Bloqueo/desbloqueo del panel de control (solo DE15F, DE24F)

El panel de control está equipado con una función de bloqueo para evitar ajustes accidentales.

- ▶ Pulse el botón de encendido/apagado y el botón de luz simultáneamente durante 2 segundos para bloquear o desbloquear el panel de control.

8.6 Encendido/apagado de la luz

El LED interior se enciende al abrir el aparato y se apaga al cerrarlo.

- ▶ Para encender o apagar el LED interior mientras mantiene la puerta abierta, pulse el botón de luz. El LED interior se encenderá la próxima vez que abra la puerta.

Solo EA15F, EA24B, EA24D, EA24F

- ▶ Para encender o apagar el LED interior, pulse de forma permanente el botón de la luz durante 6 segundos.
- ✓ El ajuste de luz manual está activado.
- ✓ La pantalla muestra "CL" durante unos segundos cuando se activa el ajuste manual de la luz.
- ✓ La pantalla muestra "OP" durante unos segundos cuando se desactiva el ajuste manual de la luz.

8.7 Ajuste de la temperatura

- ▶ Pulse el botón de ajuste para regular la temperatura en 1 °C/1 °F.
- ✓ El valor de la temperatura parpadea en la pantalla al ajustar temperatura. 3 segundos después de ajustar la temperatura, la pantalla muestra la temperatura actual en el aparato. El valor de temperatura aumenta o disminuye hasta que se alcanza la temperatura fijada en el aparato.

8.8 Cambio de la unidad de temperatura

- ▶ Pulse los botones de ajuste simultáneamente durante 2 segundos para cambiar la unidad de temperatura.
- ✓ El símbolo de la unidad correspondiente se ilumina.

8.9 Descongelación del aparato

Cuando el aparato ha estado refrigerando durante un largo periodo de tiempo, pueden formarse gotas de agua o una capa de hielo en el interior. Esto puede distintar causas (véase capítulo “Resolución de problemas” en la página 84).

1. Retire todos los artículos del aparato.
2. Pulse el botón de encendido/apagado durante 6 segundos para apagar el aparato.
3. Deje abierta la puerta.
4. Elimine el agua de condensación del aparato pasando un paño seco cuando el hielo se haya derretido.
5. Limpie el aparato con un paño húmedo.

8.10 Cambio de ubicación del aparato



¡ADVERTENCIA! Peligro de lesiones

El aparato debe ser trasladado por 2 personas como mínimo.



¡AVISO! Peligro de daños

Asegúrese de que el aparato permanece en posición vertical y segura durante el transporte.

1. Retire todos los artículos del aparato.
2. Fije las patas a la parte inferior del aparato.
3. **Solo DE15F, DE24F, EA15F, EA24B, EA24F:** Bloquee la puerta.
Solo EA24D: Fije los cajones con cinta adhesiva.
4. Proteja el exterior del aparato con una manta o similar.

9 Almacenamiento del aparato

Si el aparato permanece apagado durante varias semanas, puede formarse moho u olores en el interior.

1. Retire todos los artículos del aparato.
2. Limpie y seque el interior del aparato (véase capítulo “Limpieza y cuidado” en la página 83).
3. Deje abierta la puerta del aparato.

10 Limpieza y cuidado



¡ADVERTENCIA! Peligro de incendio

- La reparación, mantenimiento o recarga del aparato solo debe ser realizado por personal cualificado.
- El circuito de refrigeración de este aparato contiene refrigerante inflamable.
- Las reparaciones o acciones de mantenimiento inadecuadas pueden conllevar peligros considerables.
- Tenga en cuenta que una reparación por medios propios o no profesionales puede tener consecuencias de seguridad y suponer la anulación de la garantía.



¡ADVERTENCIA! Riesgo de electrocución

Desconecte la nevera de la red antes de proceder a la limpieza o al mantenimiento de la misma.



¡AVISO! Peligro de daños

- Para la limpieza no emplee agentes corrosivos ni objetos duros, pues podrían deteriorar el enfriador.
- Nunca utilice herramientas duras ni puntiagudas para retirar capas de hielo o despegar productos que se hayan adherido al congelarse.
- No utilice herramientas mecánicas ni de otra clase para acelerar el deshielo.

- ▶ Con un paño húmedo, limpie la nevera de forma regular y también en cuanto se ensucie.
- ▶ Preste atención a que no gotee agua en las juntas. Ello puede dañar el sistema electrónico.
- ▶ Después de haberla limpiado, seque la nevera con un paño.
- ▶ Compruebe regularmente el orificio de drenaje del agua de condensación. Si es necesario, limpie el orificio de drenaje del agua de condensación. Si se atasca, el agua de deshielo se acumula en la parte inferior de la nevera.



Hallará más instrucciones de conservación de superficies vidrio y acero inoxidable en documents.dometic.com/?object_id=69917

11 Resolución de problemas

Fallo	Posible causa	Solución
El aparato no funciona.	El aparato no está conectado a la red eléctrica.	► Conecte el aparato (véase capítulo "Conexión del aparato a la fuente de alimentación" en la página 78).
	El aparato está apagado.	► Encienda el aparato (véase capítulo "Encendido y apagado del aparato" en la página 80).
	El interruptor de seguridad ha saltado.	► Encienda el interruptor de seguridad.
	Se ha fundido el fusible.	► Sustituya el fusible.
El aparato no está lo suficientemente frío.	La temperatura no está bien ajustada.	► Compruebe el ajuste de temperatura.
	La temperatura ambiente podría requerir un ajuste de temperatura más alto.	► Ajuste una temperatura más alta (véase capítulo "Ajuste de la temperatura" en la página 81).
	La puerta se ha abierto con frecuencia.	► No abra la puerta más de lo necesario.
	La puerta no está bien cerrada.	► Cierre la puerta correctamente.
	La junta de la puerta no cierra herméticamente.	► Compruebe la junta de la puerta y límpiela.
		► Si es necesario, póngase en contacto con un técnico de mantenimiento autorizado para sustituir la junta.
	El condensador está demasiado sucio.	► Limpie el condensador.
	La abertura de ventilación está obstruida.	► Limpie las aberturas de ventilación.

Fallo	Posible causa	Solución
El aparato se enciende y se apaga solo.	La temperatura ambiente es superior a la especificada en los datos técnicos (véase capítulo "Datos técnicos" en la página 90).	► Coloque el aparato en un lugar más fresco (véase capítulo "Cambio de ubicación del aparato" en la página 82).
	El aparato ha sido repuesto recientemente con más comida.	► Deje el aparato en funcionamiento durante un tiempo hasta que se alcance la temperatura ajustada.
	La puerta se ha abierto con frecuencia.	► No abra la puerta más de lo necesario.
	La puerta no está bien cerrada.	► Cierre la puerta correctamente.
	La puerta no está cerrada herméticamente.	► Compruebe la junta de la puerta y límpiela. ► Si es necesario, póngase en contacto con un técnico de mantenimiento autorizado para sustituir la junta.
La lámpara LED interior no funciona.	El aparato no está conectado a la red eléctrica.	► Conecte el aparato (véase capítulo "Conexión del aparato a la fuente de alimentación" en la página 78).
	El interruptor de seguridad ha saltado.	► Encienda el interruptor de seguridad.
	Se ha fundido el fusible.	► Sustituya el fusible.
	La lámpara LED interior ha sido apagada a través el panel de control.	► Encienda la lámpara LED interior (véase capítulo "Encendido/apagado de la luz" en la página 81).
El aparato vibra.	El aparato está correctamente alineado.	► Alinee el aparato utilizando las patas ajustables (véase capítulo "Ajuste de las patas" en la página 78).

Fallo	Posible causa	Solución
El aparato hace ruido.	<p>Es probable que el ruido sea causado por el refrigerante. Al final de cada ciclo se oirán ruidos causados por la circulación del refrigerante.</p> <p>Si se dan fluctuaciones de temperatura, la contracción y expansión de las paredes internas pueden provocar chasquidos o crujidos.</p> <p>El aparato está correctamente alineado.</p>	<p>Este es un proceso normal.</p> <p>► Alinee el aparato utilizando las patas ajustables (véase capítulo "Ajuste de las patas" en la página 78).</p>
La puerta no cierra correctamente.	<p>El aparato está correctamente alineado.</p> <p>La bisagra de la puerta se ha cambiado de forma incorrecta.</p> <p>La junta de la puerta está sucia.</p> <p>Los estantes no están bien colocados.</p>	<p>► Alinee el aparato utilizando las patas ajustables (véase capítulo "Ajuste de las patas" en la página 78).</p> <p>► Compruebe la bisagra de la puerta y vuelva a montarla correctamente.</p> <p>► Limpie la junta de la puerta.</p> <p>► Compruebe los estantes y recolóquelos correctamente (véase capítulo "Ajuste de los estantes" en la página 79).</p>

Fallo	Posible causa	Solución
El aparato emite un pitido constante.	La puerta ha quedado abierta durante más de 60 segundos.	<ul style="list-style-type: none"> ▶ Deje la puerta cerrada durante al menos 15 minutos.
	La puerta se ha abierto con frecuencia.	<ul style="list-style-type: none"> ▶ No abra la puerta más de lo necesario. ▶ Deje la puerta cerrada durante al menos 15 minutos.
	La temperatura ha cambiado significativamente con respecto a la temperatura ajustada.	<ul style="list-style-type: none"> ▶ Cierre la puerta y espere a que el aparato alcance la temperatura ajustada. ▶ Deje que los alimentos calientes se enfríen antes de introducirlos en el aparato.
	El aparato está averiado.	<ul style="list-style-type: none"> ▶ Póngase en contacto con un técnico de mantenimiento autorizado.

Fallo	Posible causa	Solución
Se ha formado una capa de hielo en el aparato.	La puerta se ha abierto con frecuencia.	<ul style="list-style-type: none"> ➤ No abra la puerta más de lo necesario. ➤ Descongele el aparato si es necesario (véase capítulo "Resolución de problemas" en la página 84).
	La temperatura ajustada es demasiado baja.	➤ Aumente la temperatura (véase capítulo "Ajuste de la temperatura" en la página 81).
	La temperatura ambiente es demasiado alta.	➤ Coloque el aparato en un lugar más fresco (véase capítulo "Cambio de ubicación del aparato" en la página 82).
	El aparato está sobrecargado.	➤ Retire algunos artículos del aparato.
	La junta de la puerta está defectuosa.	➤ Póngase en contacto con un técnico de mantenimiento autorizado.
	La puerta está torcida.	➤ Póngase en contacto con un técnico de mantenimiento autorizado.
	La luz está encendida de forma permanente.	<ul style="list-style-type: none"> ➤ Apague la luz. ➤ Póngase en contacto con un técnico de mantenimiento autorizado para sustituir el botón de la luz.
	Los fusibles térmicos o el termostato de descongelación están dañados.	➤ Póngase en contacto con un técnico de mantenimiento autorizado.
Una parte del aparato o todo el aparato está defectuoso.	➤ Póngase en contacto con un técnico de mantenimiento autorizado.	

12 Garantía

Consulte las siguientes secciones para obtener información sobre garantía y asistencia para garantía en EE. UU., Canadá y el resto de regiones.

12.1 Estados Unidos y Canadá

GARANTÍA LIMITADA DISPONIBLE EN
DOMETIC.COM/WARRANTY.

SI TIENE PREGUNTAS O DESEA OBTENER UNA COPIA SIN COSTO DE LA GARANTÍA LIMITADA, CONTACTE CON:

DOMETIC CORPORATION
CUSTOMER SERVICE
ATTN: WARRANTY DEPARTMENT
13259 EAST 166TH STREET
CERRITOS, CA 90703
TELÉFONO: 1-800-789-2206
FAX: 562 802-3391

12.2 Otras regiones

Se aplica el período de garantía estipulado por la ley. Si el producto es defectuoso, póngase en contacto con la sucursal del fabricante en su país (dometic.com/dealer) o con su distribuidor.

Para tramitar la reparación y la garantía, incluya los siguientes documentos cuando envíe el aparato:

- Una copia de la factura con fecha de compra
- El motivo de la reclamación o una descripción de la avería

Tenga en cuenta que una reparación por medios propios o no profesionales puede tener consecuencias de seguridad y suponer la anulación de la garantía.

13 Gestión de residuos

Reciclaje de materiales de embalaje



- Si es posible, deseche el material de embalaje en el contenedor de reciclaje adecuado.

Reciclaje de productos con pilas no sustituibles, baterías recargables o fuentes de luz



- Deseche el producto respetando todas las normativas aplicables.
- El producto podrá desecharse gratuitamente.



¡ADVERTENCIA! Peligro de incendio

- El refrigerante es altamente inflamable. No abra o dañe el circuito de refrigerante.
- El aislamiento del aparato contiene un gas aislante (véase la etiqueta de tipo). No dañe el aislamiento.




¡ADVERTENCIA! Riesgo de atrapamiento infantil

Antes de desechar su producto viejo:


- Retire las puertas.
- Deje los estantes colocados dentro del producto para que los niños no puedan entrar en él.

14 Datos técnicos

	DE15F	DE24F	EA15F
Tensión de entrada	110 – 120 V 60 Hz		
Volumen total	90 l	142 l	90 l
Potencia de entrada nominal	110 W		
Temperatura ambiente	10 °C (50 °F) a 38 °C (100 °F)		
Rango de temperatura de almacenamiento	1 °C (34 °F) a 22 °C (72 °F)		
Emisión de ruidos	45 dB		
Propelente	Ciclopentano		
Refrigerante	R600a		
Dimensiones	fig. 15, página 10	fig. 16, página 10	fig. 15, página 10

	DE15F	DE24F	EA15F
Peso	31,5 kg	35 kg	31,5 kg
Homologaciones			

Siga las condiciones de uso EPA.

	EA24B	EA24D	EA24F
Tensión de entrada	110 – 120 V 60 Hz		
Volumen total	150 l		
Potencia de entrada nominal	110 W		
Temperatura ambiente	10 °C (50 °F) a 38 °C (100 °F)		
Rango de temperatura de almacenamiento	1 °C (34 °F) a 22 °C (72 °F)		
Emisión de ruidos	45 dB		
Propelente	Ciclopentano		
Refrigerante	R600a		
Dimensiones	fig. 17, página 11		
Peso	42 kg	49 kg	36,5 kg
Homologaciones			

Siga las condiciones de uso EPA.

15 Información legal

Este dispositivo cumple las disposiciones establecidas en la Parte 15 de las normas de la Comisión Federal de Comunicaciones (FCC). Su funcionamiento está sujeto a las dos condiciones siguientes:

- Este dispositivo no puede causar interferencias perjudiciales.
- Este dispositivo debe aceptar cualquier interferencia recibida, incluidas aquellas que puedan causar un funcionamiento inadecuado.

Los cambios o modificaciones no autorizados expresamente por la parte responsable de su cumplimiento podrían invalidar la autoridad del usuario de operar el equipo.

Las pruebas efectuadas en este equipo han servido para determinar que cumple los límites exigidos a los dispositivos digitales de Clase B, especificados en la Parte 15 de las normas de la Comisión Federal de Comunicaciones (FCC). Dichos límites se han establecido con el fin de conceder un margen razonable de protección contra interferencias perjudiciales en caso de instalación en áreas residenciales. Este equipo genera, utiliza y puede irradiar energía de radiofrecuencia y, si no se instala y utiliza de acuerdo con las instrucciones, puede provocar interferencias perjudiciales en las radiocomunicaciones. No obstante, no se garantiza que no se producirán interferencias en una instalación determinada. Si este equipo provoca interferencias perjudiciales en la recepción radiofónica o televisiva, lo que puede determinarse encendiendo y apagando el equipo, se recomienda al usuario que trate de corregirlas mediante una o más de las siguientes medidas:

- Cambiar la orientación o ubicación de la antena receptora.
- Aumentar la separación entre el equipo y el receptor.
- Enchufar el equipo en una toma de corriente que forme parte de un circuito distinto al que está conectado el receptor.
- Consultar al distribuidor o a un técnico experto en radio y televisión para obtener ayuda.

Este dispositivo cumple con los estándares RSS exentos de licencia de Industry Canada (IC). Su funcionamiento está sujeto a las dos condiciones siguientes:

- Este dispositivo no puede causar interferencias.
- Este dispositivo debe aceptar cualquier interferencia, incluidas aquellas que puedan causar un funcionamiento inadecuado. Este aparato digital de Clase B cumple con la norma ICES-3(B)/NMB-3(B) de Canadá.



dometic.com

YOUR LOCAL DEALER

dometic.com/dealer

YOUR LOCAL SUPPORT

dometic.com/contact

YOUR LOCAL SALES OFFICE

dometic.com/sales-offices